

#54112, #54113, #54123

220-240V~50Hz

2,050W at 20°C, IPX5



W[®]
Bestway
Inflate Your Fun[™]



Lay-Z-Spa[™]

Owner's Manual

www.bestway-service.com





Bestway

*Inflate Your Fun*TM

Austria

Tel: (+43) 720 882434
Fax: (+43) 720 882435
E-mail: austria@bestway-service.com

Belgium & Luxembourg

Tel: 0 800 20 132
Fax: (+32) 02 6104411
E-mail: belgiumservice@bestway-europe.com

Denmark

Tel: (+45) 33 32 10 19
Fax: (+45) 33 32 10 36
E-mail: denmark@bestway-service.com

Finland

Tel: (+358) 2 4363 600
E-mail: finland@bestway-service.com

Bestway France

Tel: 08 92 707 709 (0.34 € TTC / Minute)
Fax: (+33) 04 89 069 991
E-mail: sav@bestway-france.com
www.bestway-france.fr

Bestway Germany

Tel: (+49) 69 4600 1281
Fax: (+49) 69 4600 1282
E-mail: kundendienst@bestway-europe.com

Greece

Tel: 00 800 391 275 300
Fax: (+39) 02 9139 0361
E-mail: aftersales@bestway-europe.com

Hungary

Tel: (+36) 06 40 204 624
Email: hungary@bestway-service.com

Bestway Italy

Tel: (+39) 02 3626 5839
Fax: (+39) 02 9139 0361
E-mail: assistenza@bestway-europe.com

The Netherlands

Tel: 08002378929
Fax: (+31) 887878969
E-mail: dutchservice@bestway-europe.com

Norway

Tel: (+47) 22 65 01 22
Fax: (+47) 22 72 11 27
E-mail: norway@bestway-service.com

Poland

Tel: (+48) 322326040
Tel: (+48) 327505320
Fax: (+48) 327505330
E-mail: serwis@bestway-service.com

Portugal

Tel: (+351) 707506692
Fax: (+34) 902602705
E-mail: sac@bestwayiberica.com

Spain

Tel: (+34) 902351045
Fax: (+34) 902602705
E-mail: sac@bestwayiberica.com

Sweden

Tel: (+46) 8 506 691 90
Fax: (+46) 8 506 690 99
E-mail: sweden@bestway-service.com

Switzerland

Tel: (+41) 071 929 00 00
Fax: (+41) 071 929 00 90
E-mail: switzerland@bestway-service.com

United Kingdom

Tel: 0845 576 0116
Fax: (+44) 1626 835736
E-mail: aftersales@bestway-uk.com
www.bestway-uk.com

Bestway Central & South America Ltda

Salar Acostan 1282, Parque Enea,
Pudahuel, Santiago, Chile
Tel: (+56) 2 2365 0315
Fax: (+56) 2 2365 0323
E-mail: info@bestway-southamerica.com

Brasil

Tel: (+55) 11 5641 2193
Tel / Fax: (+55) 11 3522 7405
E-mail: sac@bestway-brazil.com

Chile

Tel: (+56) 2 2365 0315
E-mail: info@bestway-southamerica.com

Mexico

Tel: (+52) 81 8346 3416
Fax: (+52) 81 8346 6581
E-mail: mexico@bestway-southamerica.com

Perú

Tel: (+51) 1 254 1119
E-mail: peru@bestway-southamerica.com

Bestway Inflatables & Material Corp.

No.3065 Cao An Road, Shanghai, 201812,
China.
Tel: (+86) 21 6913 5588
Fax: (+86) 21 5913 8383
E-mail: info@bestway-shanghai.com

Bestway (Europe) s.r.l.

Via Resistenza 5,
20098 San Giuliano M.se (Mi) - Italy
Tel: (+39) 02 3626 5839
Fax: (+39) 02 9139 0361
E-mail: aftersales@bestway-europe.com
www.bestway-service.com

www.bestway-service.com

CONTENTS

1. Safety Instructions	P03	5. Maintenance	P14
2. Specifications	P06	Maintaining Spa Water	
3. Installation Instructions	P07	For Filter Cartridge Cleaning & Replacement	
Selected Location		For Water Balance	
Pump Test		Fasten the Air-Valve	
Assembly		Draining the Spa	
4. Pump Operation	P12	Cleaning the Spa	
Heating Reset		Spa Repair	
Control Panel		Lay-Z-Spa Storage	
Alarms		Disposal	
		6. Troubleshooting	P16
		7. Warranty	P17

SAFETY INSTRUCTIONS

WARNING

When installing and using this electrical equipment, basic safety precaution should always be followed, including the following:

IMPORTANT SAFETY INSTRUCTIONS - READ AND FOLLOW ALL INSTRUCTIONS.

WARNING:

- The spa must be supplied through an isolating transformer or supplied through a residual current device (RCD) having a rated residual operating current not exceeding 30mA.
- The pump must be tested before each use, to test follow the instruction of pump.
- If the supply cord is damaged, it must be replaced by the manufacturer, its service agent or similarly qualified persons in order to avoid a hazard.
- To reduce the risk of electric shock, do not use extension cord to connect unit to electric supply; provide a properly located outlet.
- No part of the appliance is to be located above the bath during use.
- Parts containing live parts, except parts supplied with safety extra-low voltage not exceeding 12V, must be inaccessible to a person in spa pool; Parts incorporating electrical components, except remote control devices, must be located or fixed so that they cannot fall into the spa pool.
- The plug of pump shall be more than 3.5m away from the spa.
- It is necessary to have the plug accessible after installation of the spa.
- **TO AVOID ELECTRIC SHOCK, DO NOT USE THE SPA WHEN IT IS RAINING.**
- Never wear your contact lenses when in your spa.
- Do not use spa during chemical maintenance.

- This appliance can be used by children aged from 8 years and above and persons with reduced physical, sensory or mental capabilities or lack of experience and knowledge if they have been given supervision or instruction concerning use of the appliance in a safe way and understand the hazards involved. Children shall not play with the appliance. Cleaning and user maintenance shall not be made by children without supervision.
- Water attracts children; always attach a spa cover after each use.
- Do not bury cord. Locate cord to minimize abuse from lawn mowers, hedge trimmers, and other equipment.
- Risk of Accidental Drowning. Extreme caution must be exercised to prevent unauthorized access by children. To avoid accidents, ensure that children can not use this spa unless they are supervised at all times.
- **RISK OF INJURY.** Never operate spa if inlet / outlet pipes are broken or missing. Never attempt to replace the inlet / outlet pipes. Always consult your local Aftersales centre.
- **RISK OF ELECTRIC SHOCK.** Install at least 2m from all metal surfaces.
- **RISK OF ELECTRIC SHOCK.** Never operate any electrical appliance when in your spa or when your body is wet. Never place any electric appliance, such as a light, telephone, radio, or television, within 2m of spa.
- During pregnancy, soaking in hot water may cause damage to the fetus. Limit use to 10 minutes at a time.
- **TO REDUCE THE RISK OF INJURY:**
 - A. The water in a spa should never exceed 40°C (104°F). Water temperature between 38°C (100°F) and 40°C (104°F) is considered safe for a healthy adult. Lower water temperatures are recommended for young children and when spa use exceeds 10 minutes.
 - B. Since excessive water temperatures have a high potential for causing fetal damage during the early months of pregnancy, pregnant or possibly pregnant women should limit spa water temperature to 38°C (100°F).
 - C. Before entering a spa, the user should measure the water temperature with an accurate thermometer since the tolerance of water temperature regulating device varies.
 - D. The use of alcohol, drugs, or medication before or during spa use may lead to unconsciousness with the possibility of drowning.
 - E. Obese persons and persons with a history of heart disease, low or high blood pressure, circulatory system problems, or diabetes should consult a physician before using a spa.

- F. Persons using medication should consult a physician before using a spa since some medication may induce drowsiness while other medication may affect heart rate, blood pressure, and circulation.
- **TO REDUCE THE RISK OF INJURY:** Never pour water with a temperature higher than 40°C (104°F) into the spa pool directly.
 - The use of alcohol, drugs, or medication can greatly increase the risk of fatal hyperthermia. Hyperthermia occurs when the internal temperature of the body reaches a level that is several degrees above the normal body temperature of 37°C (98.6°F). The symptoms of hyperthermia include an increase in the internal temperature of the body, dizziness, lethargy, drowsiness, and fainting. The effects of hyperthermia include failure to perceive heat; failure to recognize the need to exit spa or hot tub; unawareness of impending hazard; fetal damage in pregnant women; physical inability to exit the spa or hot tub; and unconsciousness resulting in the danger of drowning.
 - Electric installations should fulfill the requirements of standards VDE0100 part 702. Consult a qualified electrician with any questions.

CONSULT YOUR PHYSICIAN FOR RECOMMENDATIONS.

CAUTION:

- The spa should not be setup or left out in temperature lower than 4°C (40°F).
- Do not use the spa alone.
- People with infectious diseases should not use a spa.
- Do not use the spa immediately following strenuous exercise.
- Always enter and exit the spa slowly and cautiously. Wet surfaces are slippery.
- To avoid damage to the pump, the spa must never be operated unless the spa is filled with water.
- Immediately leave spa if the user feels uncomfortable or sleepy.
- Never add water to chemicals. Always add chemicals to water to avoid strong fumes or violent reactions that may result in hazardous chemical spray.

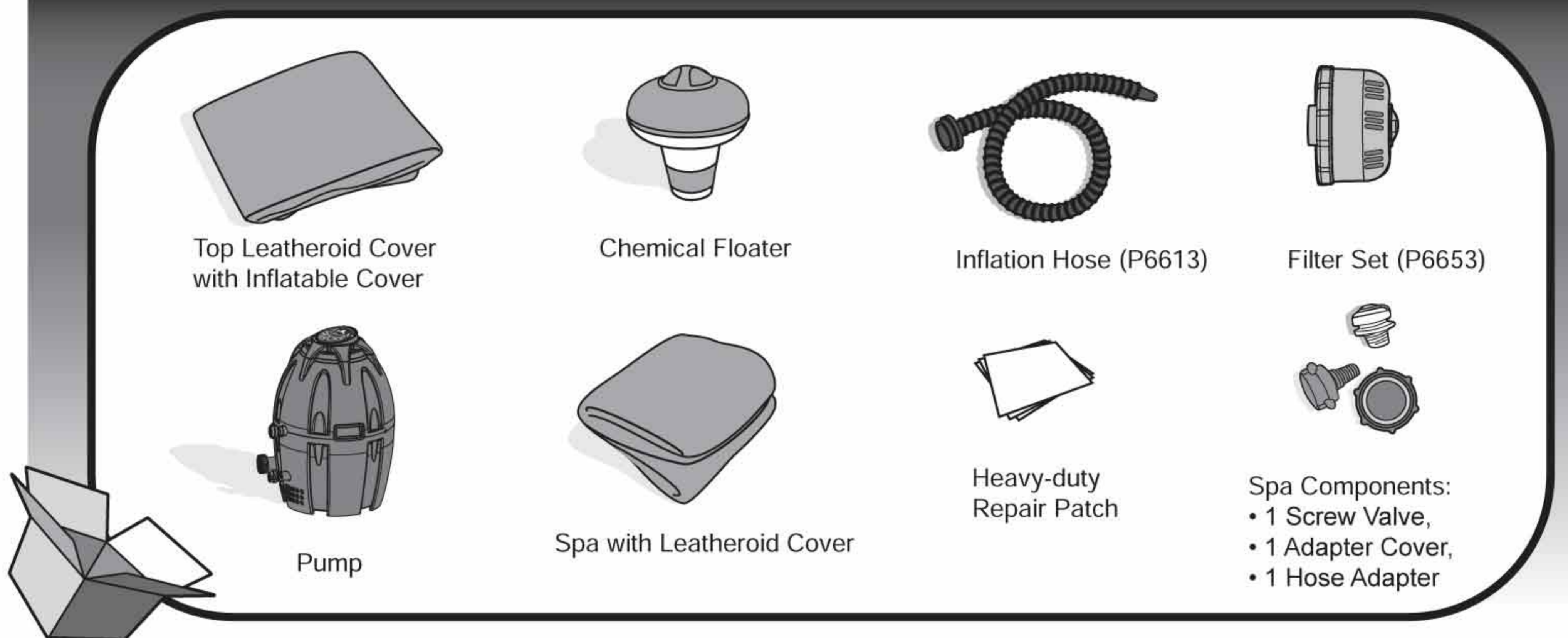
NOTE:

- Please examine equipment before use. Notify Bestway at the customer service address listed on this manual for any damaged or missing parts at the time of purchase. Verify that the equipment components represent the models that you had intended to purchase.
- This product is not intended for commercial use.

SAVE THESE INSTRUCTIONS

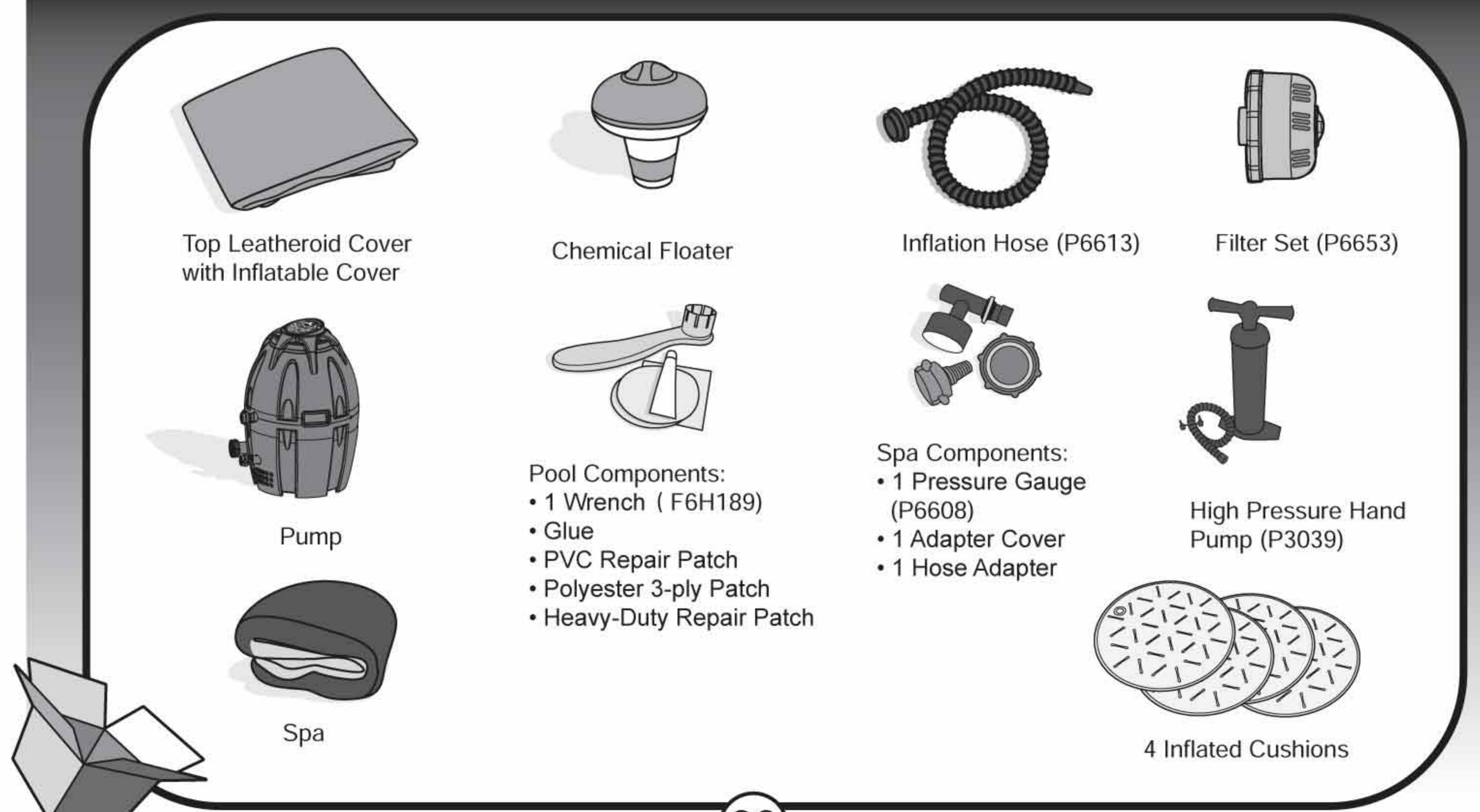
SPECIFICATIONS FOR LAY-Z-SPA™ VEGAS (#54112)

Capacity:	4-6 Adults	Massaging Turbo Blower:	800W	Increased Heat Rate:	Approximately 1.5-2°C/h (3-4°F/h)
Water Capacity (80%):	848L (224gal)	Heat Element:	2,000W at 20°C	Actual Water Flow:	1,325L/h (350 gal/h)
Inflated Size:	196cm x 61cm (77" x 24")	Pump:	50W Circulation Filter Pump	Power Rate:	220-240V AC, 2,050W at 20°C
Filled Weight:	1,100Kg (2,426Lb)	Temperature Capacities:	40°C (104°F)	Working Pressure:	0.8PSI (5.5KPa)



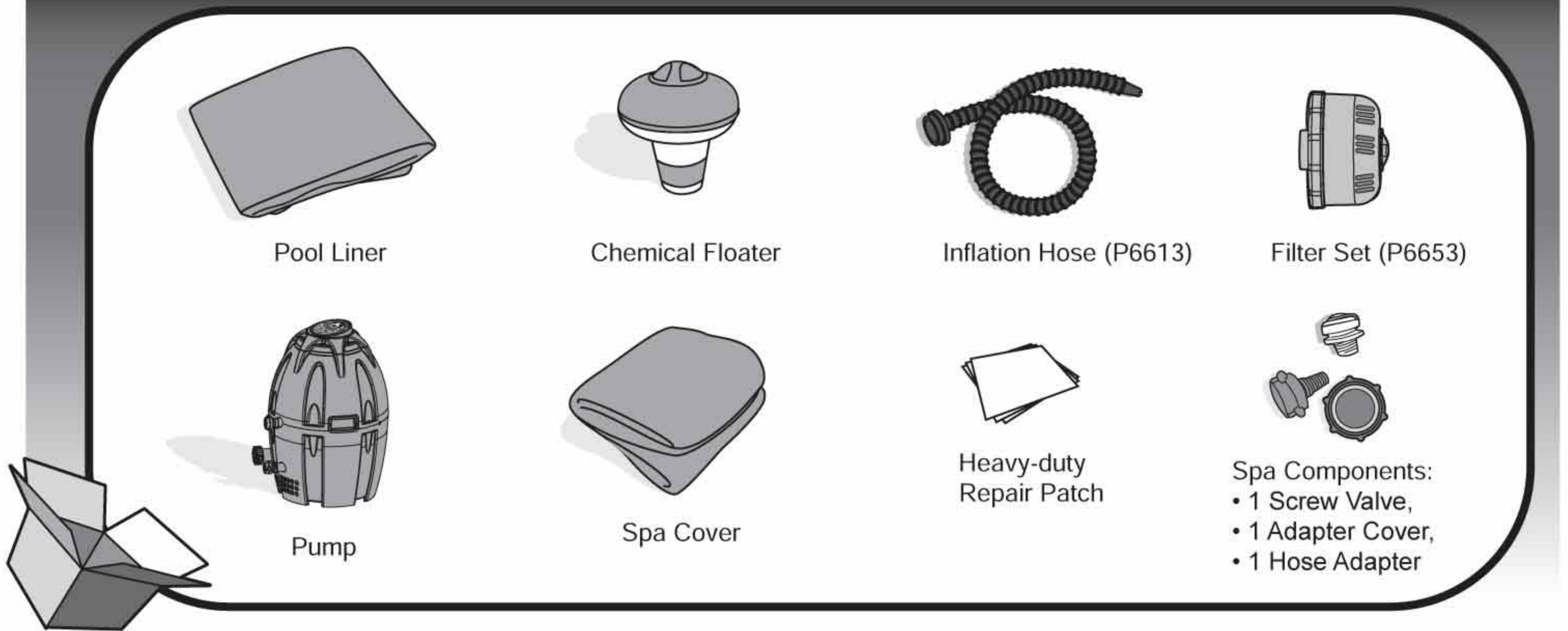
SPECIFICATIONS FOR LAY-Z-SPA™ MONACO (#54113)

Capacity:	6-8 Adults	Massaging Turbo Blower:	800W	Increased Heat Rate:	Approximately 1-1.5°C/h (2-3°F/h)
Water Capacity (80%):	1,540L (407gal)	Heat Element:	2,000W at 20°C	Actual Water Flow:	1,325L/h (350 gal/h)
Inflated Size:	201cm x 69cm (79" x 27")	Pump:	50W Circulation Filter Pump	Power Rate:	220-240V AC, 2,050W at 20°C
Filled Weight:	1,973Kg (4,349Lb)	Temperature Capacities:	40°C (104°F)	Working Pressure:	7PSI-10PSI (0.048MPa-0.069MPa)



SPECIFICATIONS FOR LAY-Z-SPA™ MIAMI (#54123)

Capacity:	2-4 Adults	Massaging Turbo Blower:	800W	Increased Heat Rate:	Approximately 1.5-2°C/h (3-4°F/h)
Water Capacity (80%):	800L (192gal)	Heat Element:	2,000W at 20°C	Actual Water Flow:	1,325L/h (350 gal/h)
Inflated Size:	180cm x 65cm (71" x 26")	Pump:	50W Circulation Filter Pump	Power Rate:	220-240V AC, 2,050W at 20°C
Filled Weight:	1,026Kg (2,261Lb)	Temperature Capacities:	40°C (104°F)	Working Pressure:	0.8PSI (5.5KPa)



INSTALLATION INSTRUCTIONS

Selected Location

WARNING: The selected location has to be capable of supporting the expected load.

WARNING: An adequate drainage system has to be provided to deal with overflow water for both indoor and outdoor installations.

IMPORTANT: Because of the combined weight of the Lay-Z-Spa, water, and users, it is extremely important that the base where the Lay-Z-Spa is installed is smooth, flat, level and capable of uniformly supporting the weight for the entire time the Lay-Z-Spa is installed (not on the carpet or other similar material). If the Lay-Z-Spa is placed on a surface, which does not meet these requirements, any damage caused by improper support is not covered under the manufacturer's warranty. It is the responsibility of the Lay-Z-Spa owner to assure the integrity of the site at all times.

1. Indoor Installation:

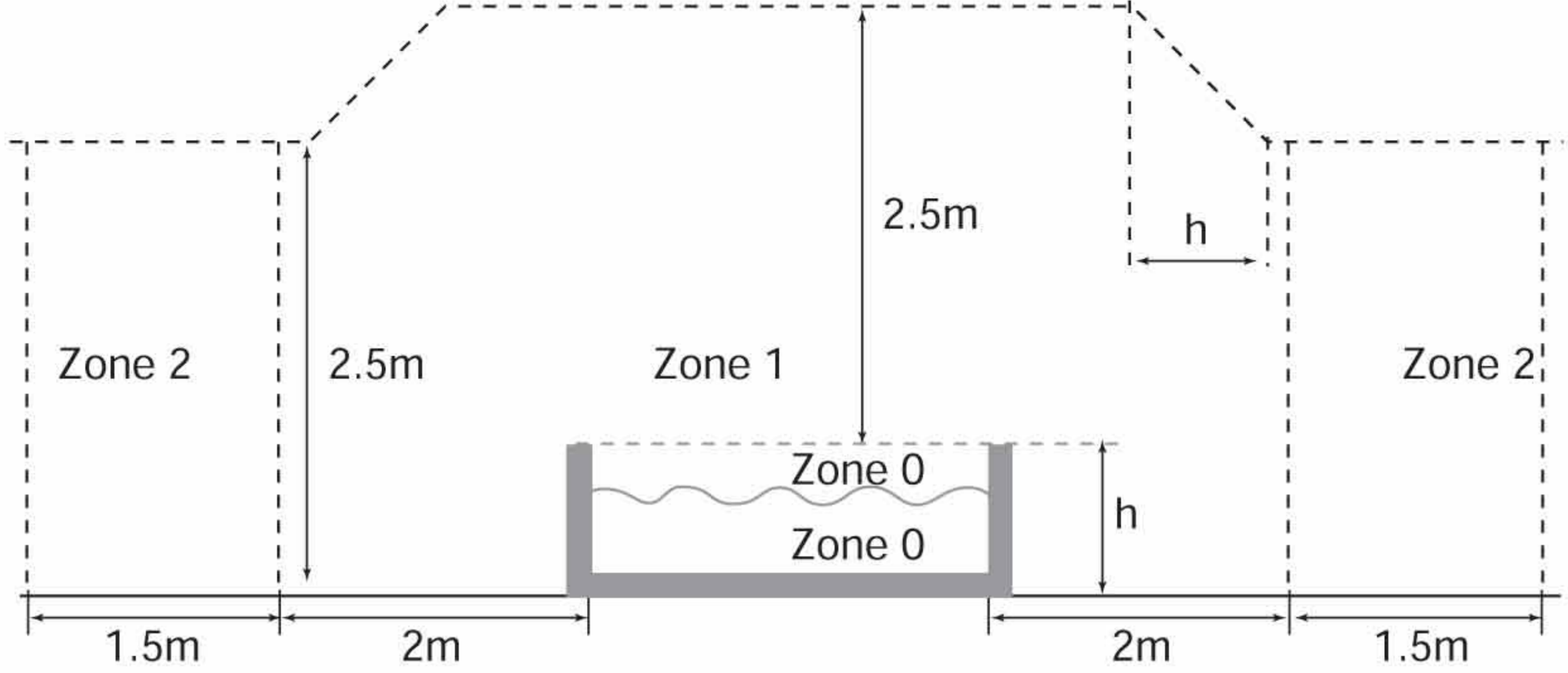
Be aware of special requirements if you install the spa indoors.

- Humidity is a natural side effect with Lay-Z-Spa installation. Determine the effects of airborne moisture on exposed wood, paper, etc. in the proposed location. To minimize these effects it is best to provide plenty of ventilation to the selected area. An architect can help determine if more ventilation is needed.

2. Outdoor Installation:

- During filling, draining or when in use, water may spill out of the spa. Therefore the Lay-Z-Spa should be installed near a floor drain.
- Do not leave the spa's surface exposed to direct sunlight for long periods of time.

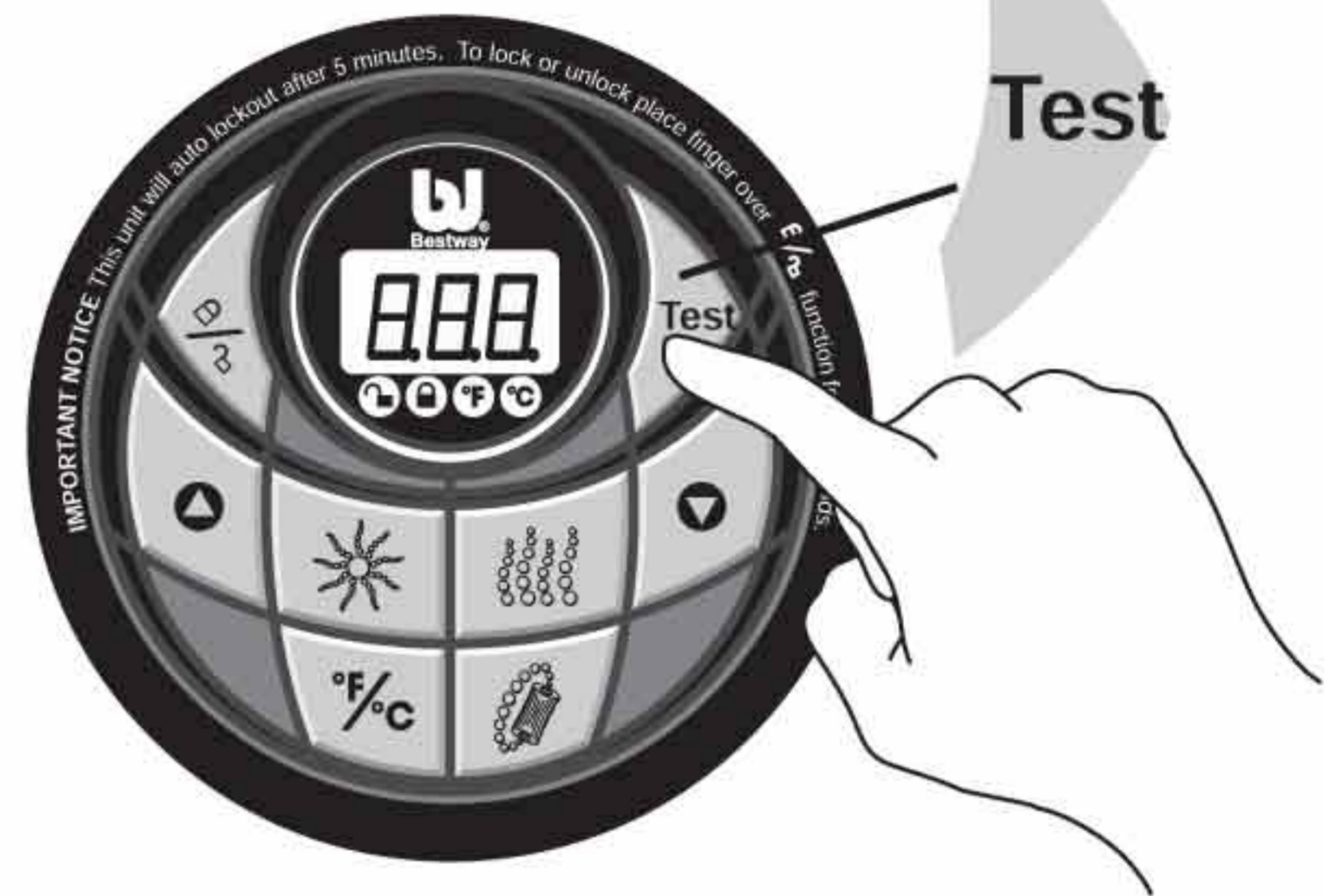
WARNING: TO AVOID ELECTRIC SHOCK, DO NOT USE THE SPA WHEN IT IS RAINING.



WARNING: The appliance must be located in Zone 1, 2 or outside of all zones.

Pump Test

1. Insert the plug into a mains socket. The LED automatically displays the current water temperature.
2. Press the "Test" button. All the indicator lights turn off, and the pump beeps out a warning.
3. Unplug and then plug the pump back in to start the system. The pump is ready to use.



WARNING: RISK OF ELECTRIC SHOCK. The pump must be tested before each use.

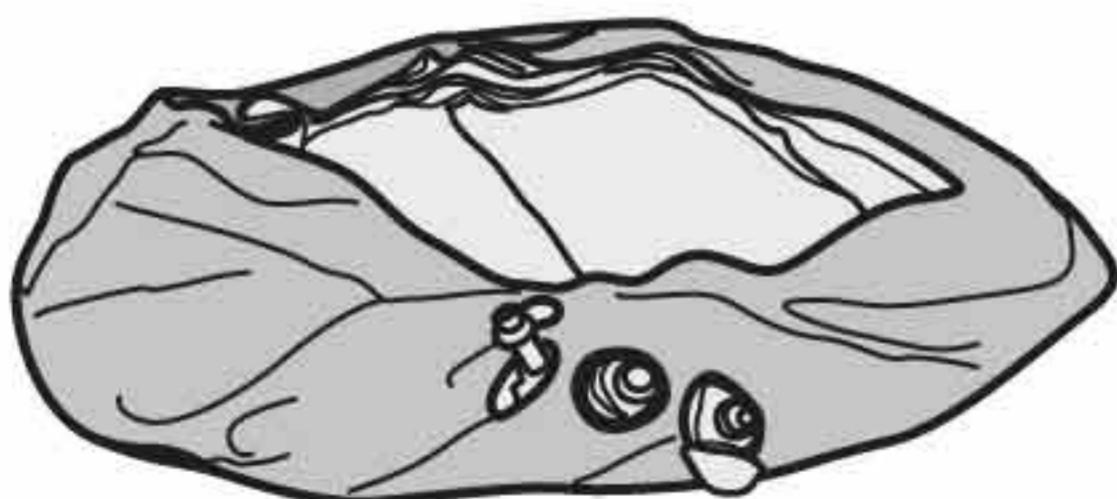
WARNING: Insert the plug into a residual current device (RCD) protected power outlet only.

WARNING: Before inserting plug into a power outlet, make sure the current rate of the power outlet is suitable for the pump.

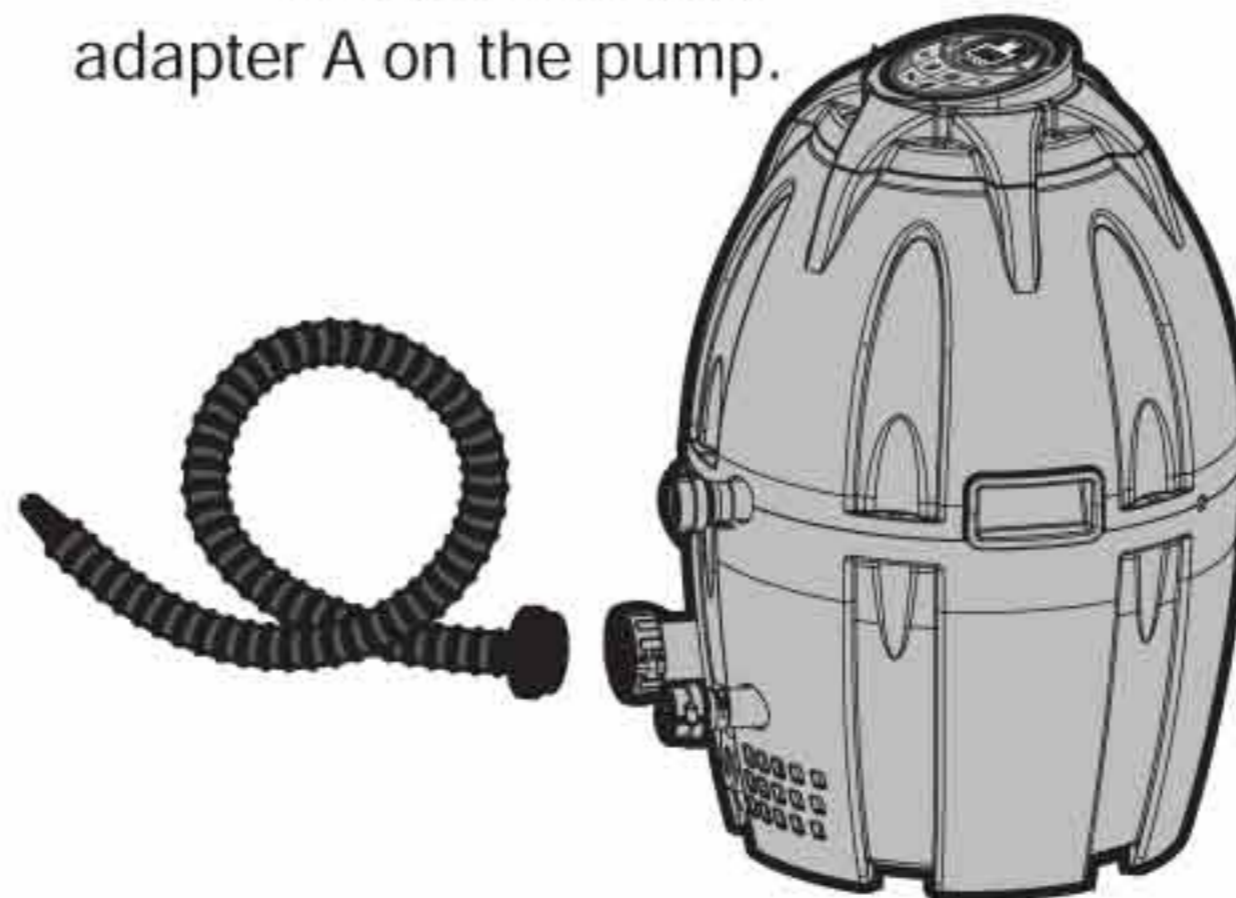
WARNING: Do not use the pump if this test fails.

ASSEMBLY : VEGAS (#54112)

1. Spread out the spa and leatheroid cover and make sure both are right side up.



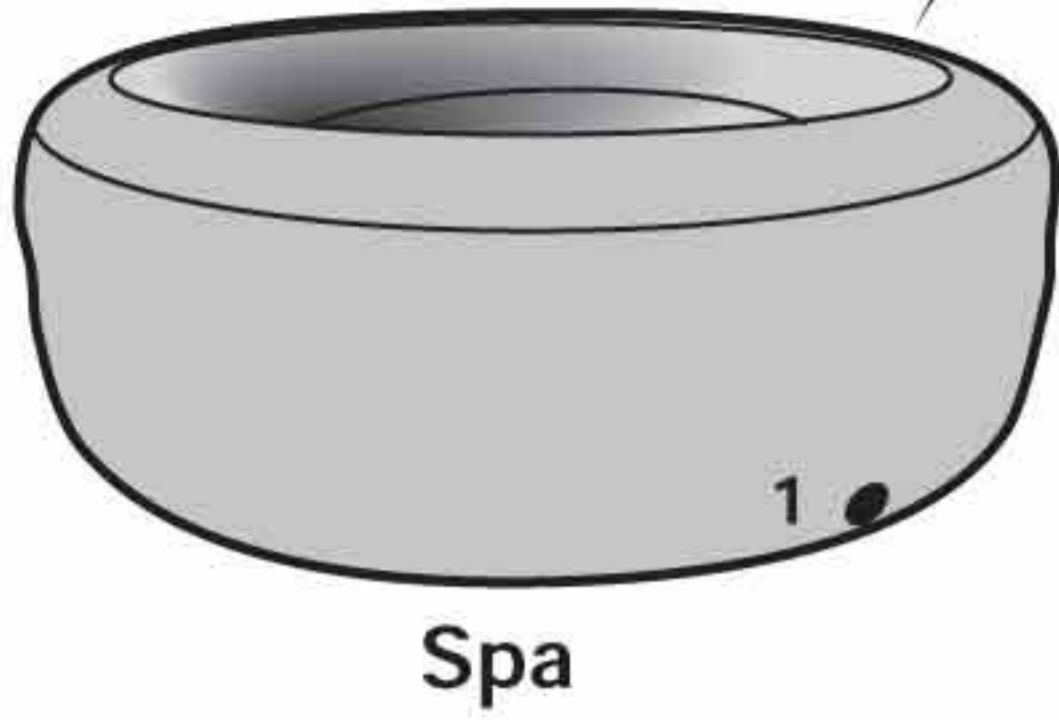
2. Connect the inflation hose to adapter A on the pump.



3. As previously outlined, test the pump and press the Lay-Z-Massage button to activate the pump.



4. NOTE: Do not use an air compressor to inflate the pool. Use the inflation hose to inflate the chambers according to the printed numbers 1 on the spa and 2 on the cover.



Spa



Screw the screw-valve onto the air intake valves marked with No. 1 on the leatheroid cover.

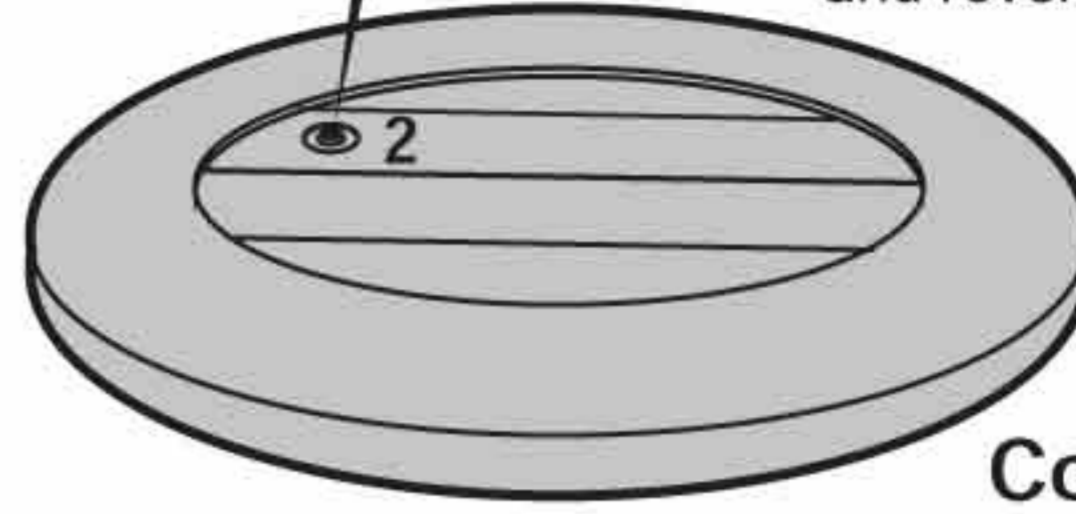


Open the top cover of the screw-valve, insert the inflation hose and inflate. Once inflation is finished, fasten the top cover of the screw-valve.



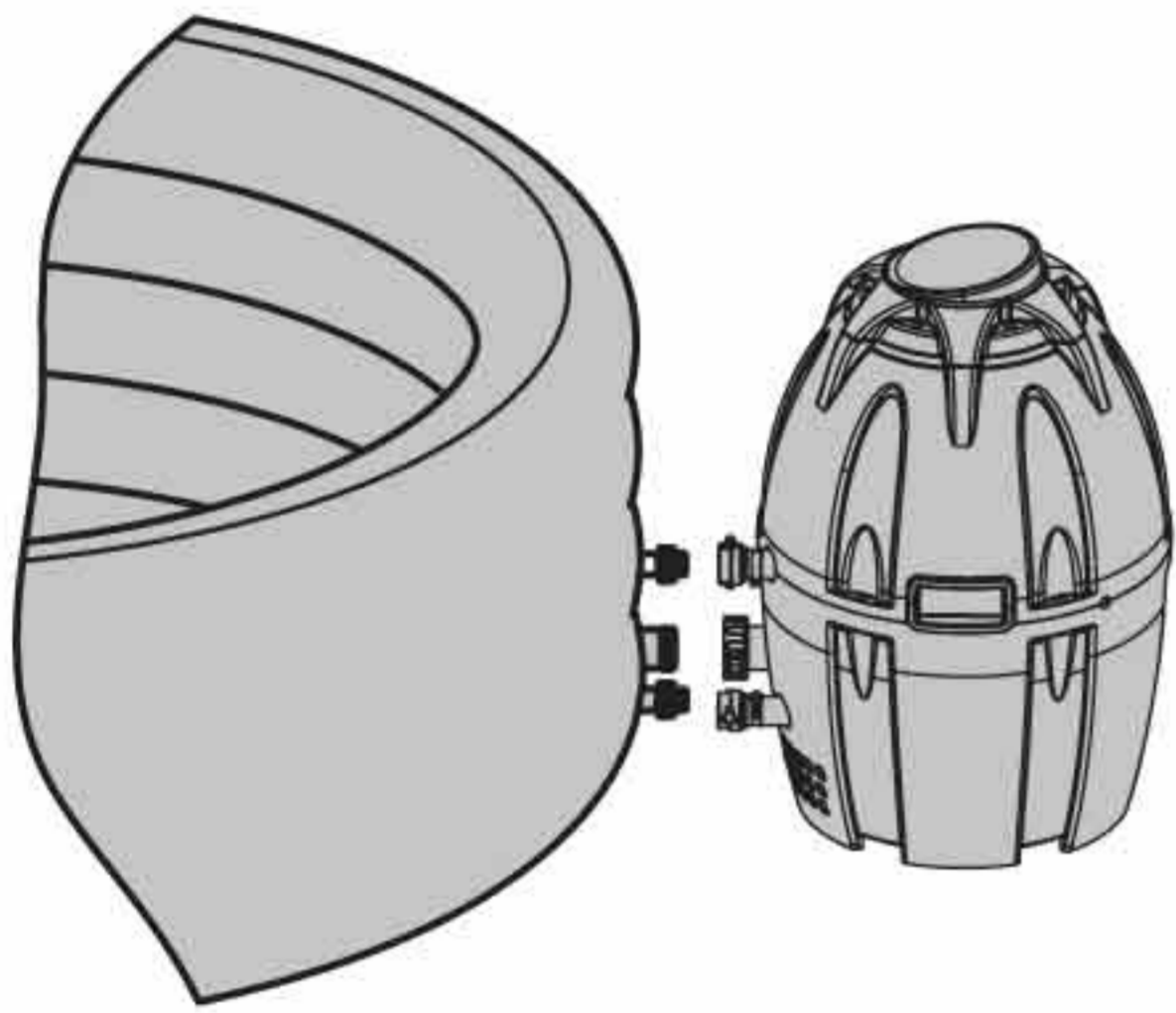
NOTE: Before use the Lay-Z-Spa Vegas, always make sure that all of the inflatable chambers are properly inflated and that there are no folds.

Open the top leatheroid cover and reverse. Insert the inflation hose onto the valve to inflate. When the inflation is finished close the valve.

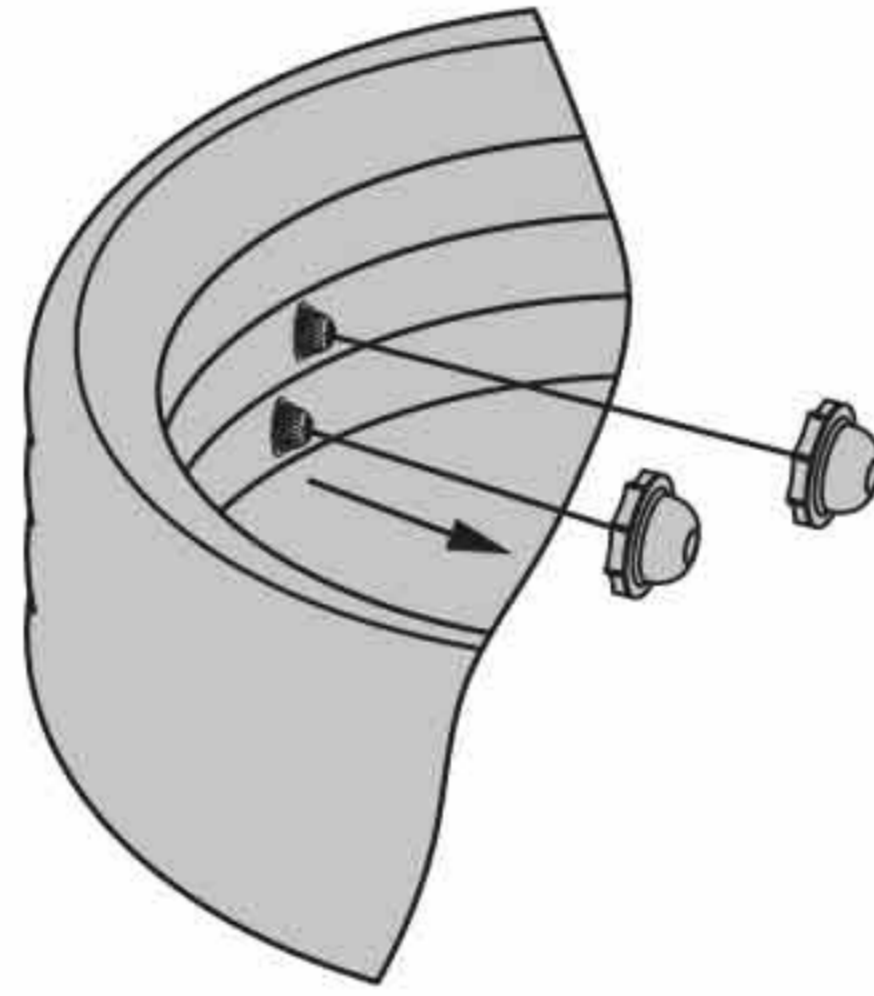


Cover

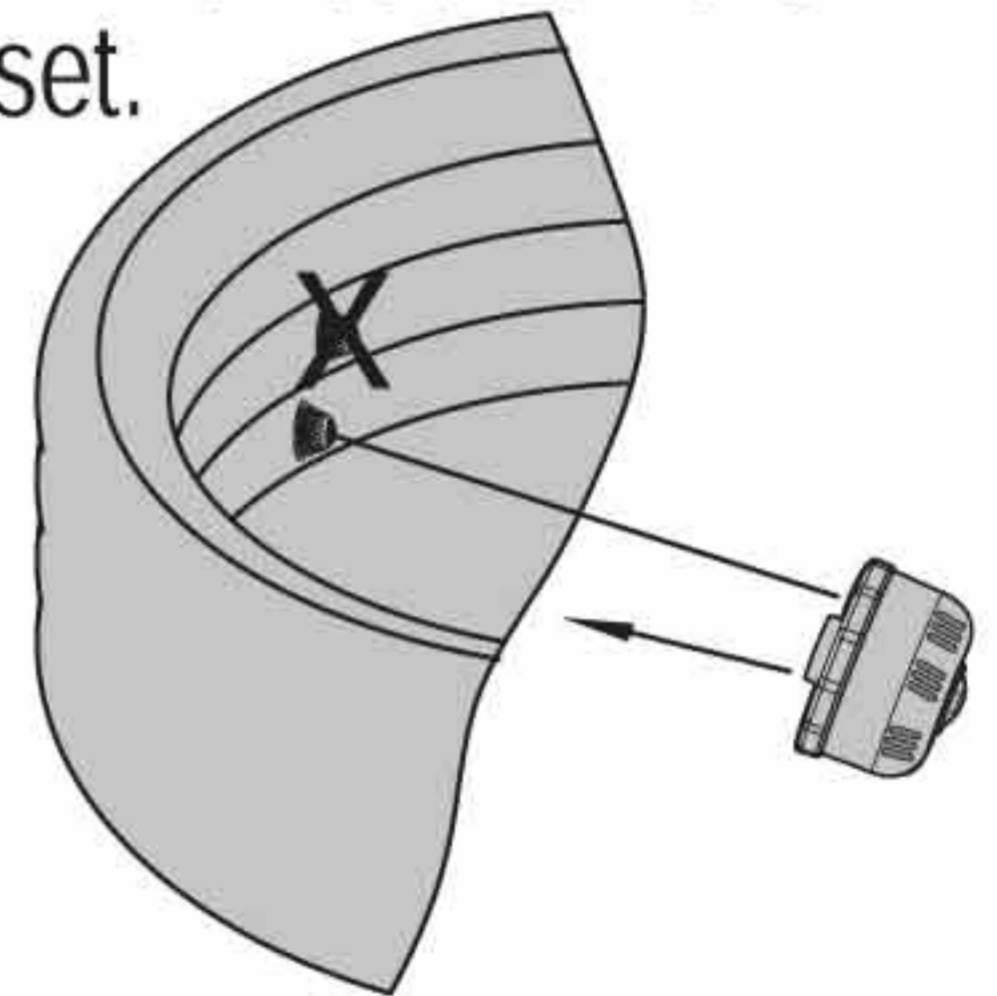
5. Connect the pump to the spa by lining up the letters (A to A, B to B and C to C). Securely hand-tighten the adapters. Check all rubber seals are in place.



6. Remove the two stopper caps from the inside of the spa's inlet and outlet pipes.

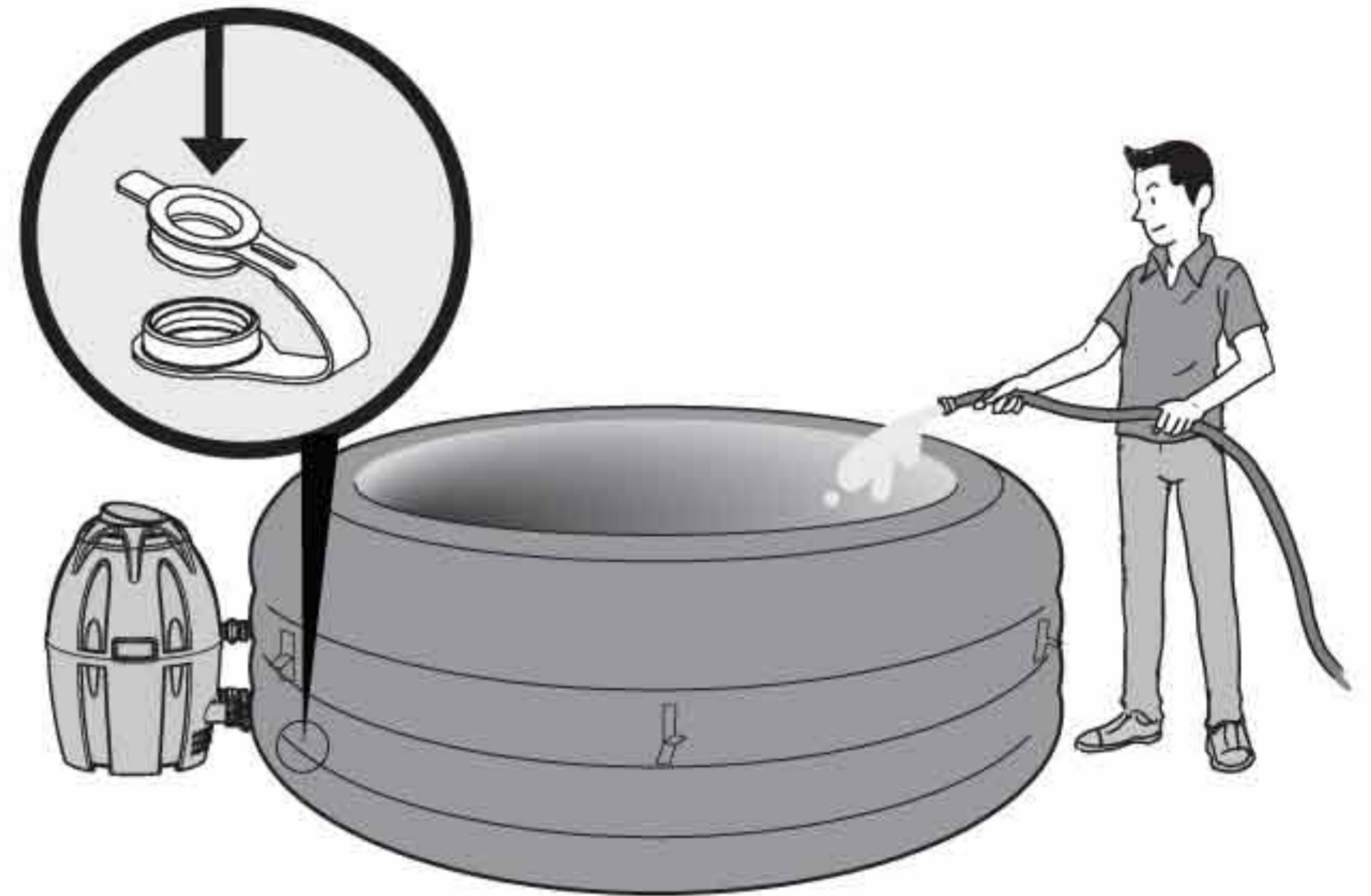


7. Screw the filter set to the inside of the spa's outlet pipe (**NOTE:** Must screw in lower position). **NOTE:** Do not sit on the filter set.



8. Using a garden hose, fill the spa to the minimum water level printed on the spa wall.

NOTE: Before filling, ensure the bottom drain valve was secured.

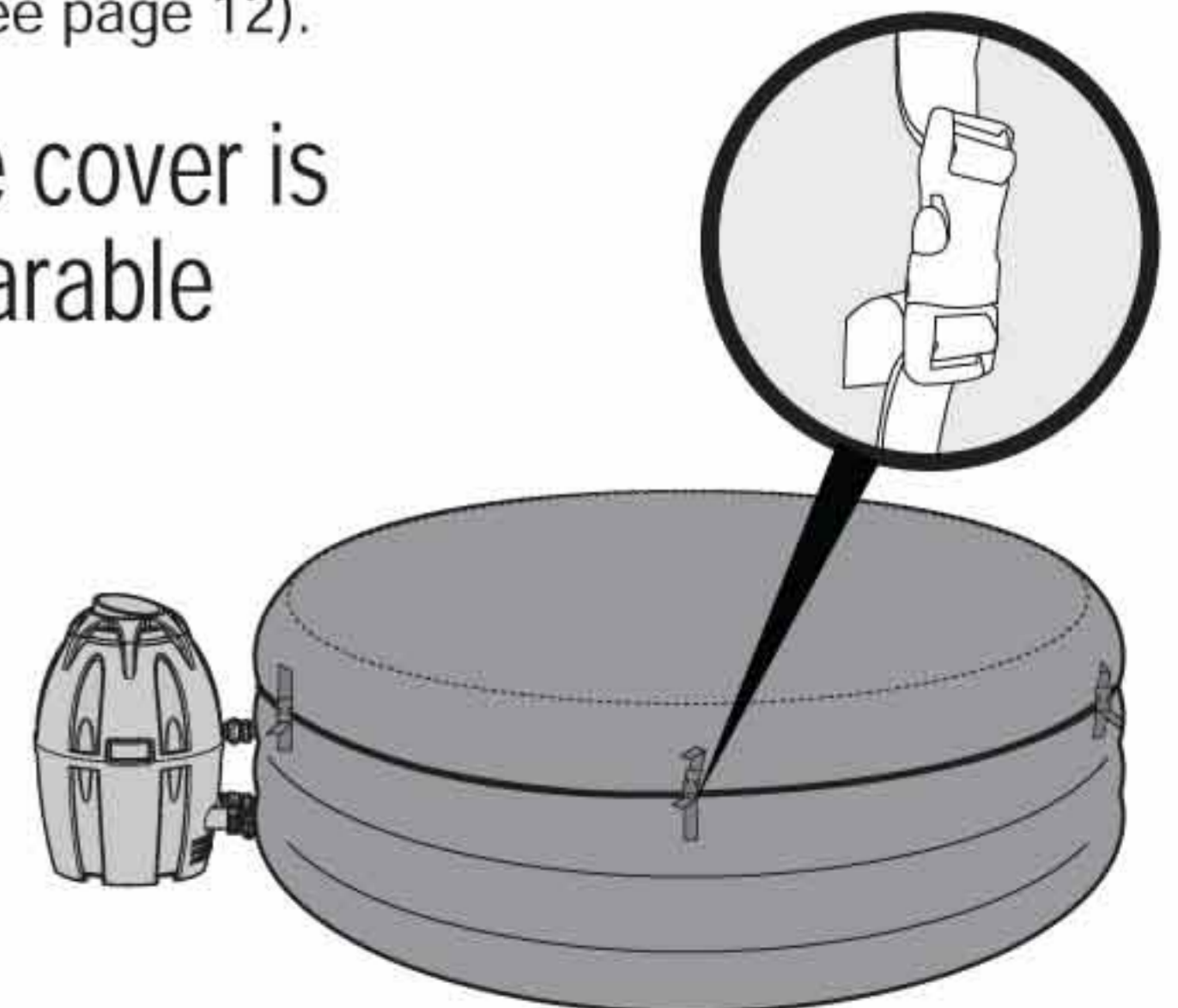


9. To heat the water, put the cover on, lock the clips, and push the heat button (see page 12).

WARNING: Do not run the Lay-Z-Massage system when the cover is attached, air can accumulate inside the spa and cause irreparable damage and bodily harm.

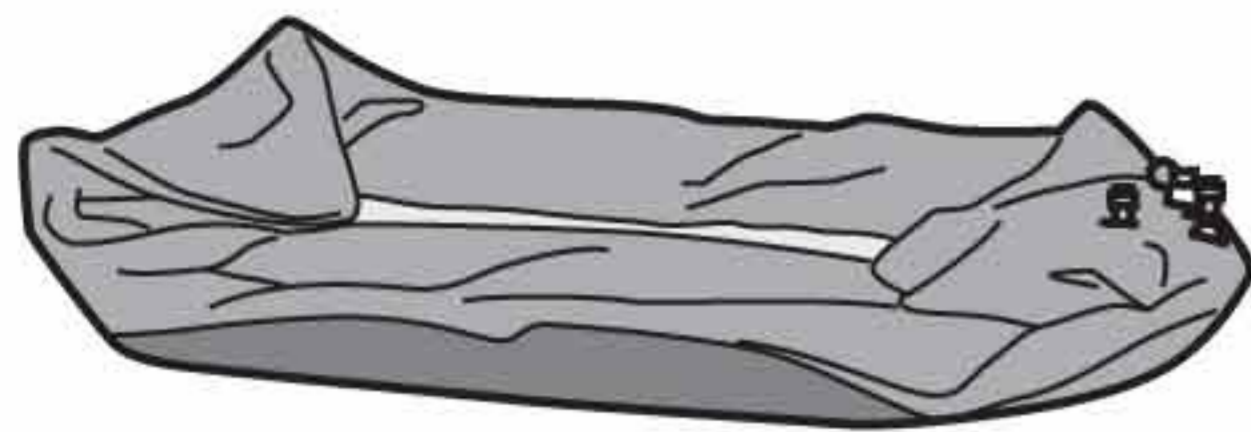
WARNING: This spa cover is not a safety cover and is not a substitute for adult supervision; children must be supervised around the spa at all times.

Note: We recommend you take a shower before using your Lay-Z- Spa, as cosmetic products, lotions, and other residues on the skin can quickly degrade water quality.

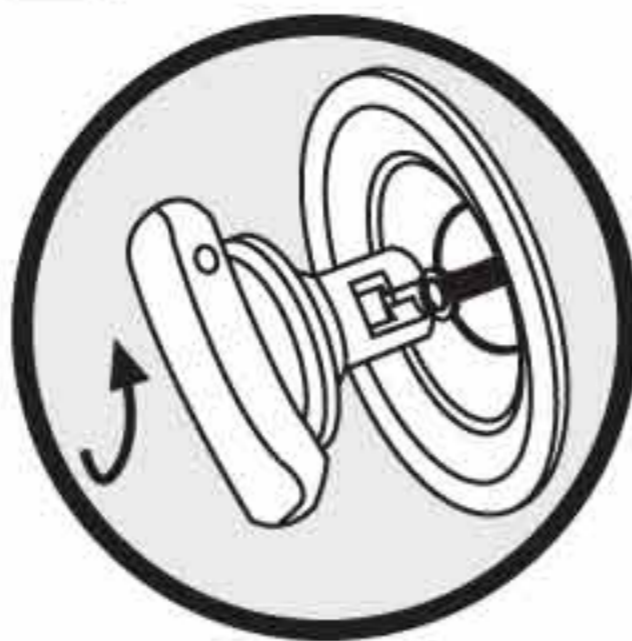


ASSEMBLY: MONACO (#54113)

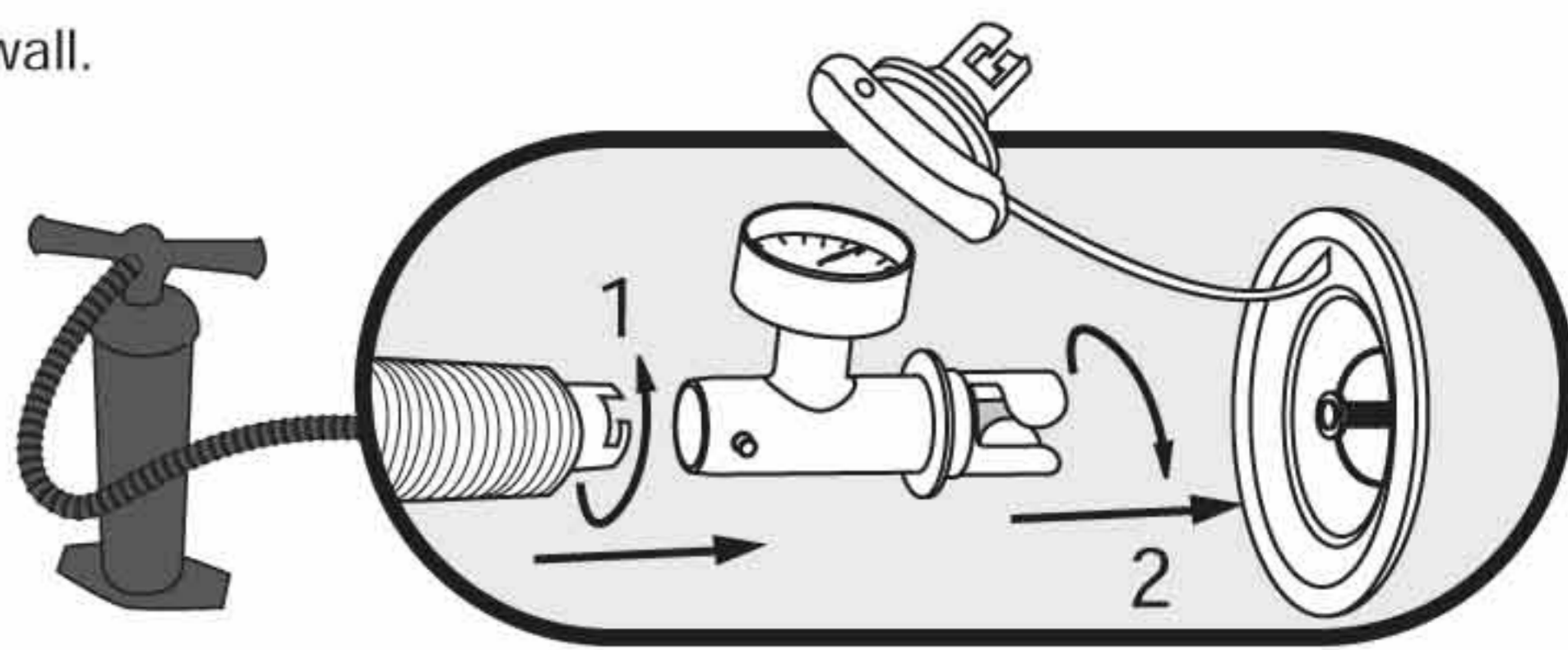
1. Spread out the spa.



2. Inflate the spa wall.

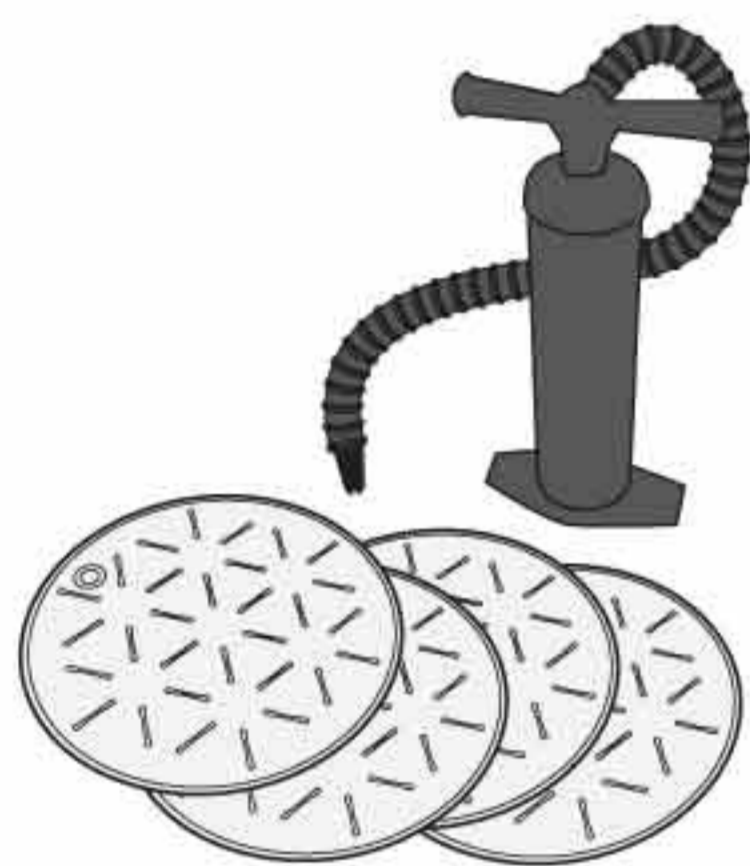


Unscrew the air-valve on the spa wall.

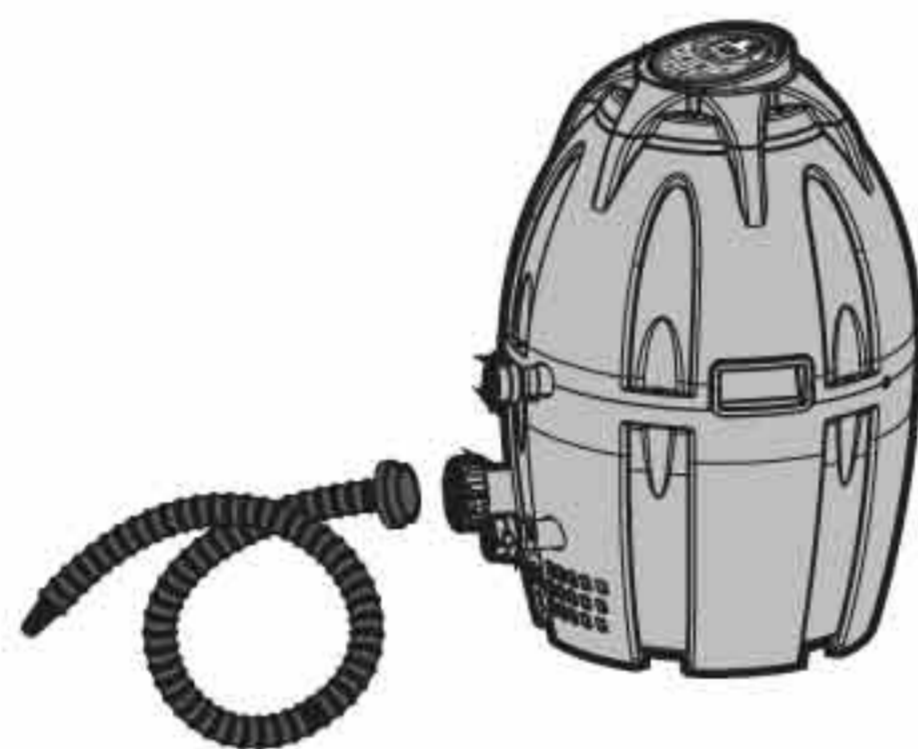


Ensure that the inner spring valve is not depressed. (if depressed, press the spring valve and turn counter clockwise) Attach the pressure gauge onto the hose of high pressure hand pump, inflate the spa to 0.048MPa (7PSI) ~ 0.069MPa (10PSI)

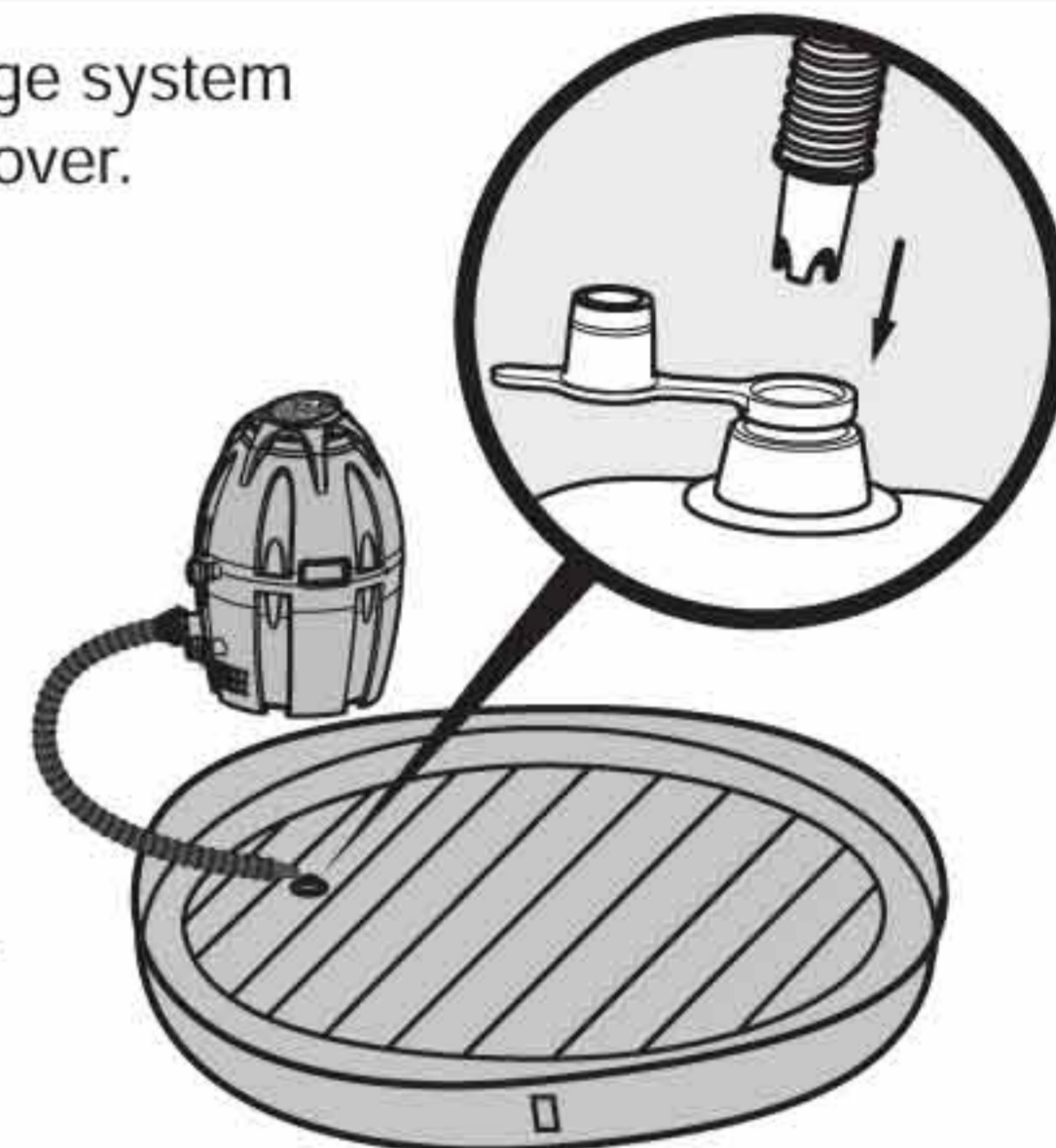
3. Inflate the four inflated cushions with the high pressure hand pump.



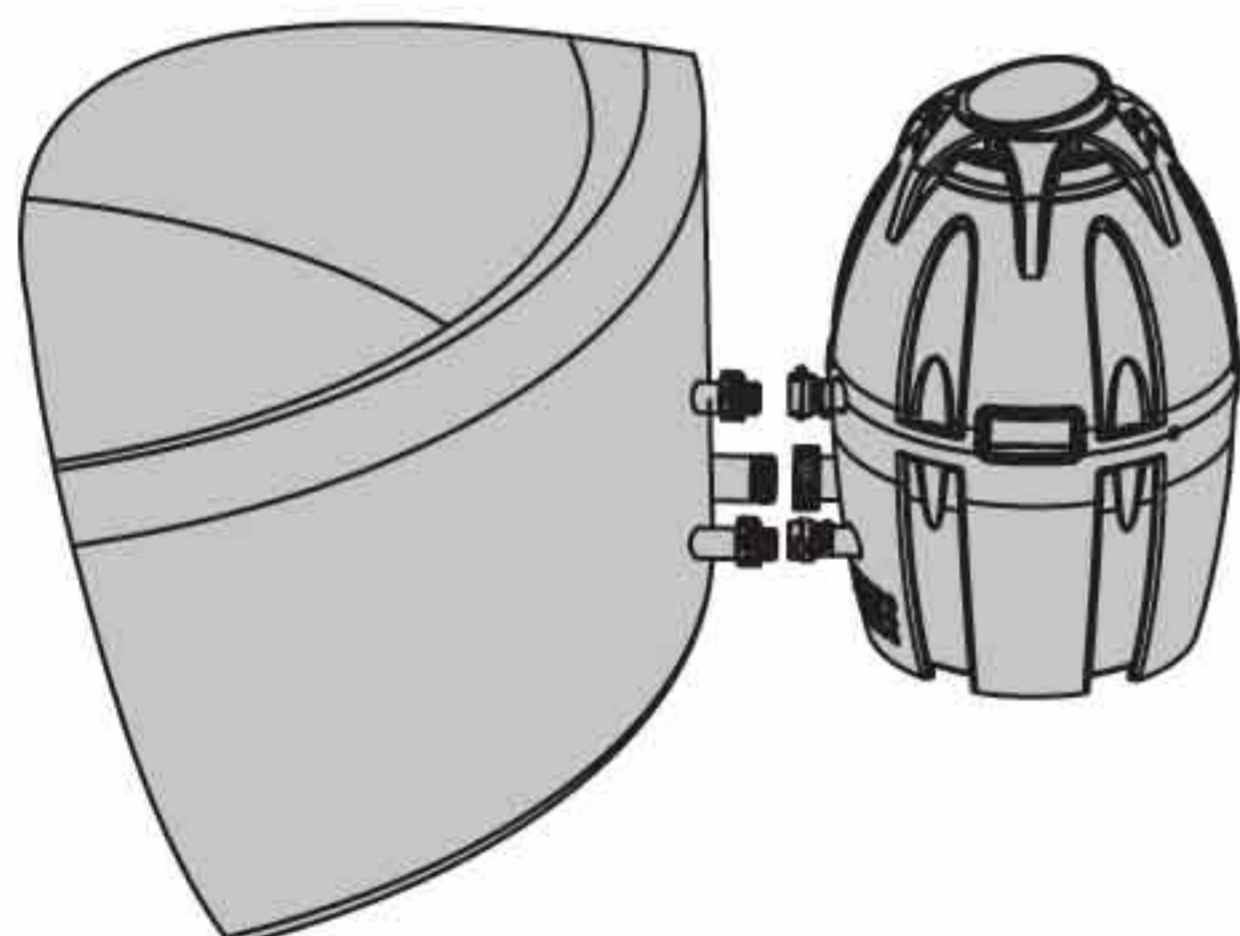
4. Connect the inflation hose to adapter A on the pump.



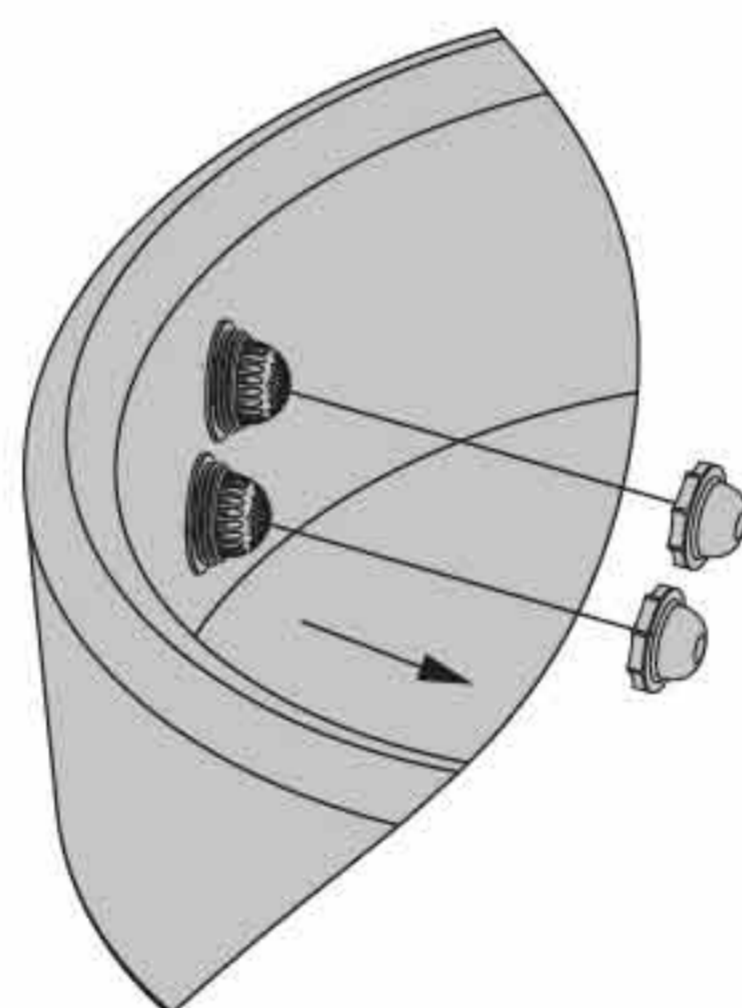
5. Activate the Lay-Z-Massage system and inflate the inflatable cover.



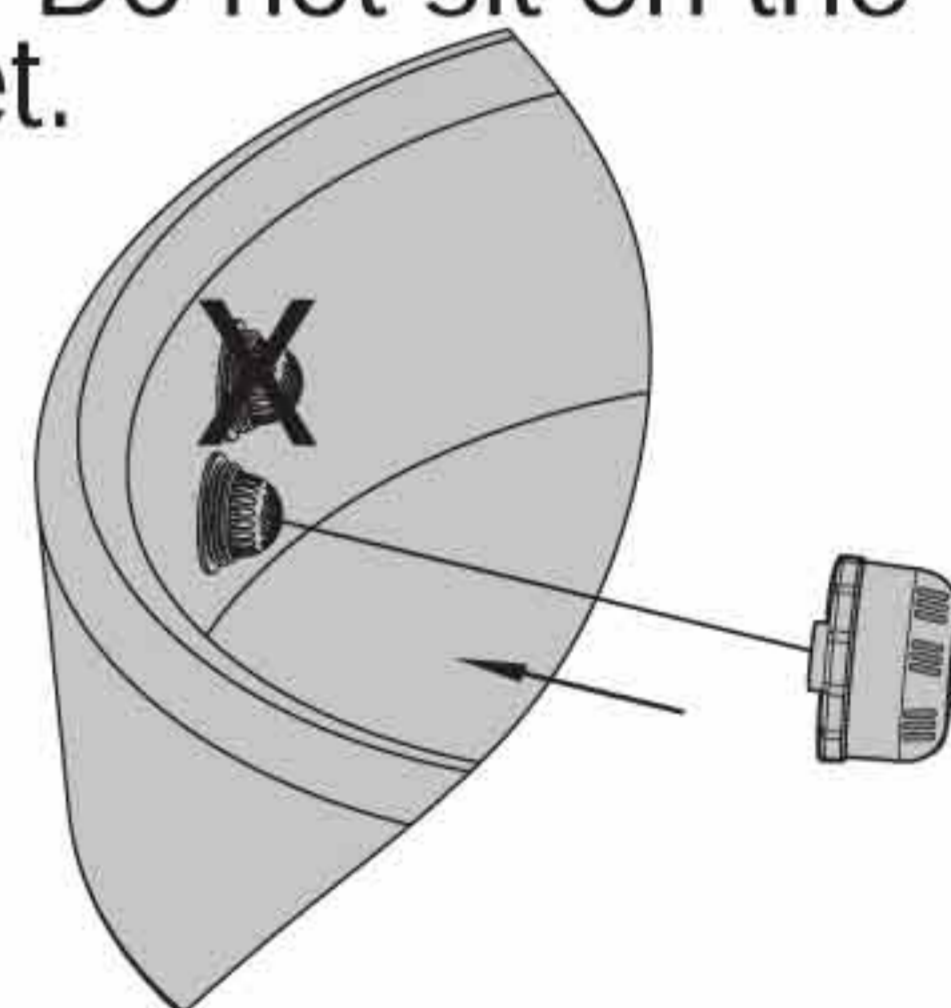
6. Connect the pump to the spa by lining up the letters (A to A, B to B and C to C). Securely hand-tighten the adapters. Check all rubber seals are in place.



7. Remove the two stopper caps from the inside of the spa's inlet and outlet pipes.



8. Screw the filter set to the inside of the spa's outlet pipe (**NOTE: Must screw in lower position**). **NOTE: Do not sit on the filter set.**

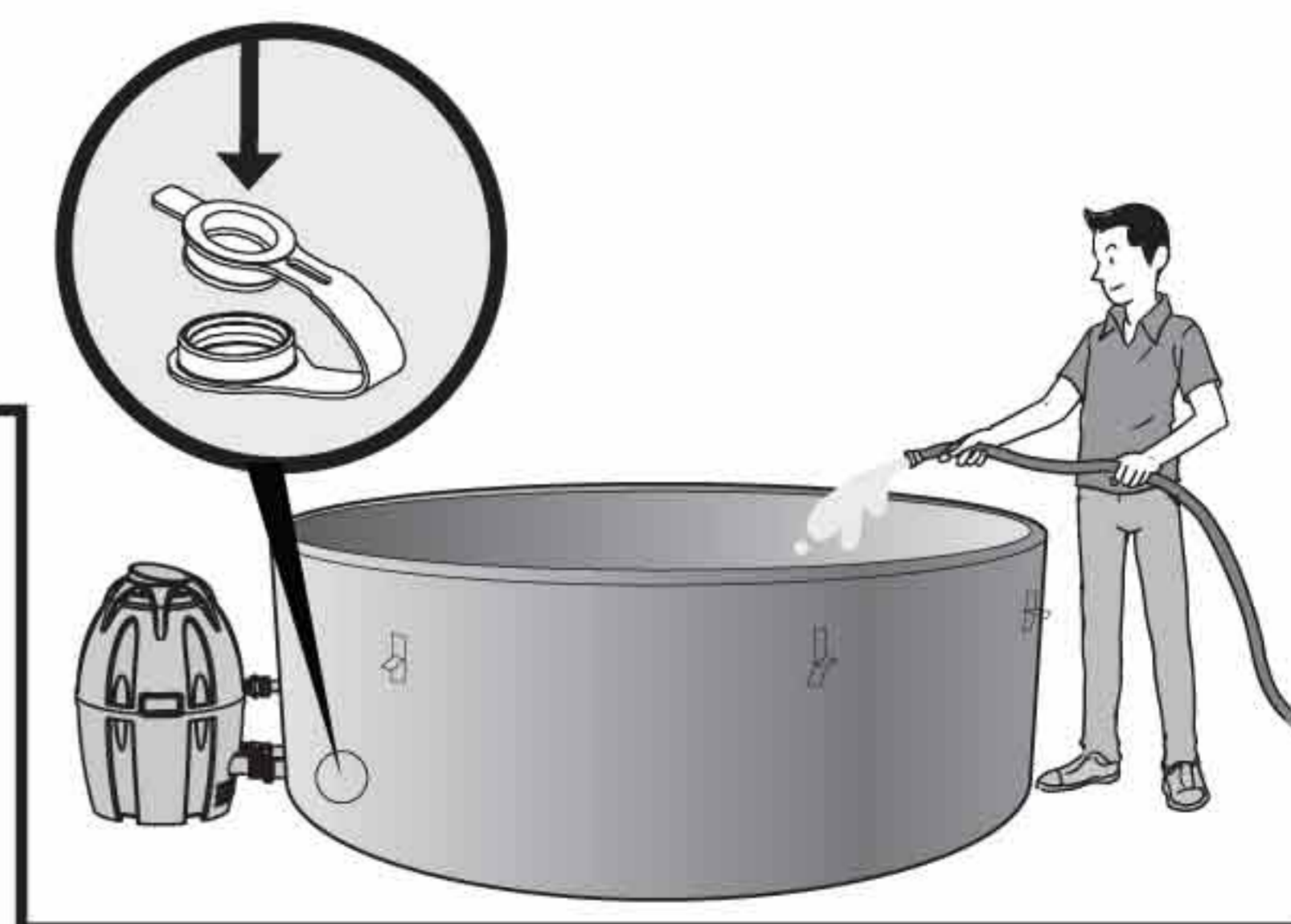
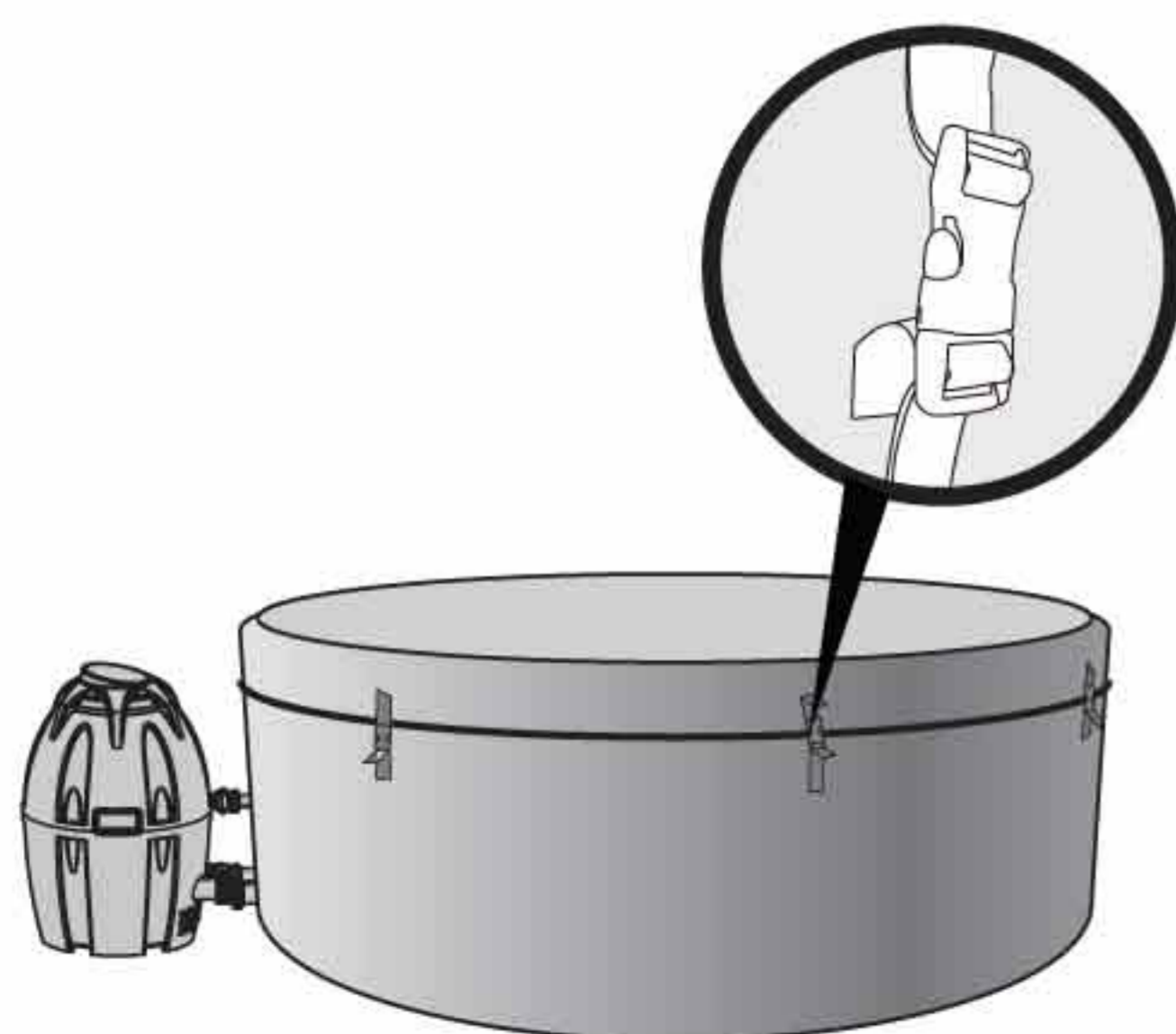


9. Using a garden hose, fill the spa to the minimum water level printed on the spa wall.

NOTE: Before filling, ensure the bottom drain valve was secured.

10. To heat the water, put the cover on, lock the clips, and push the heat button (see page 12).

WARNING: Do not run the Lay-Z-Massage system when the cover is attached, air can accumulate inside the spa and cause irreparable damage and bodily harm.

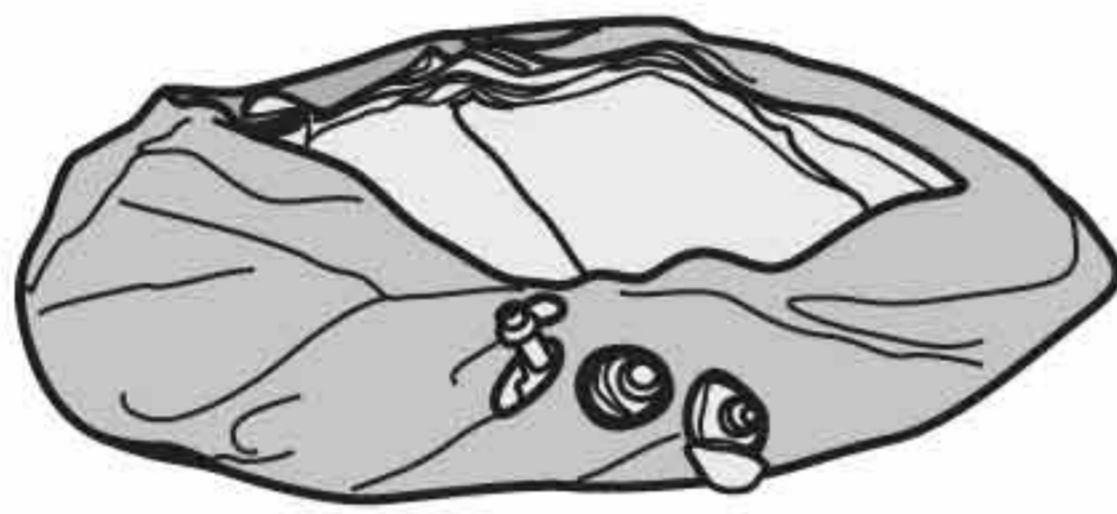


WARNING: This spa cover is not a safety cover and is not a substitute for adult supervision; children must be supervised around the spa at all times.

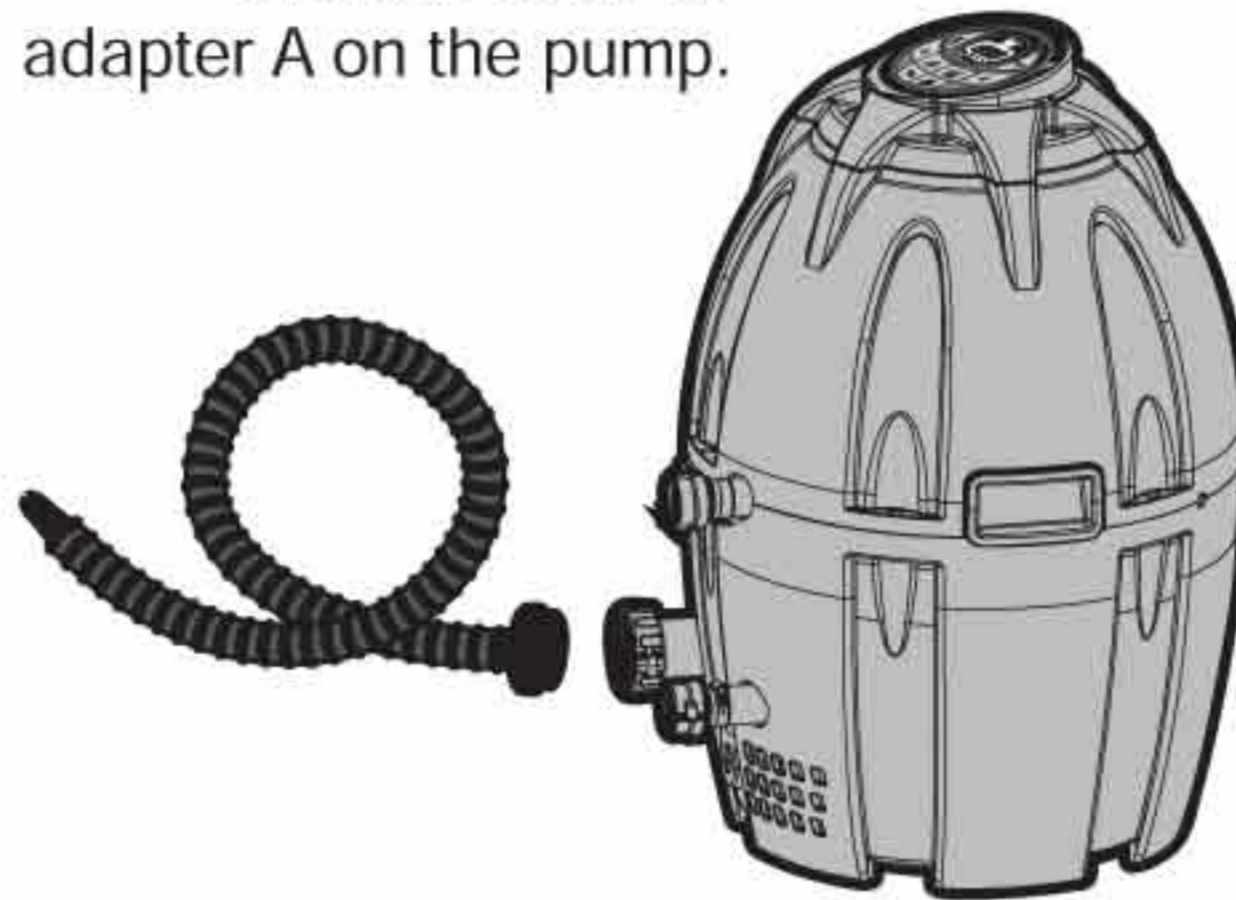
Note: We recommend you take a shower before using your Lay-Z-Spa, as cosmetic products, lotions, and other residues on the skin can quickly degrade water quality.

ASSEMBLY: MIAMI (#54123)

1. Spread out the spa and cover and make sure both are right side up.



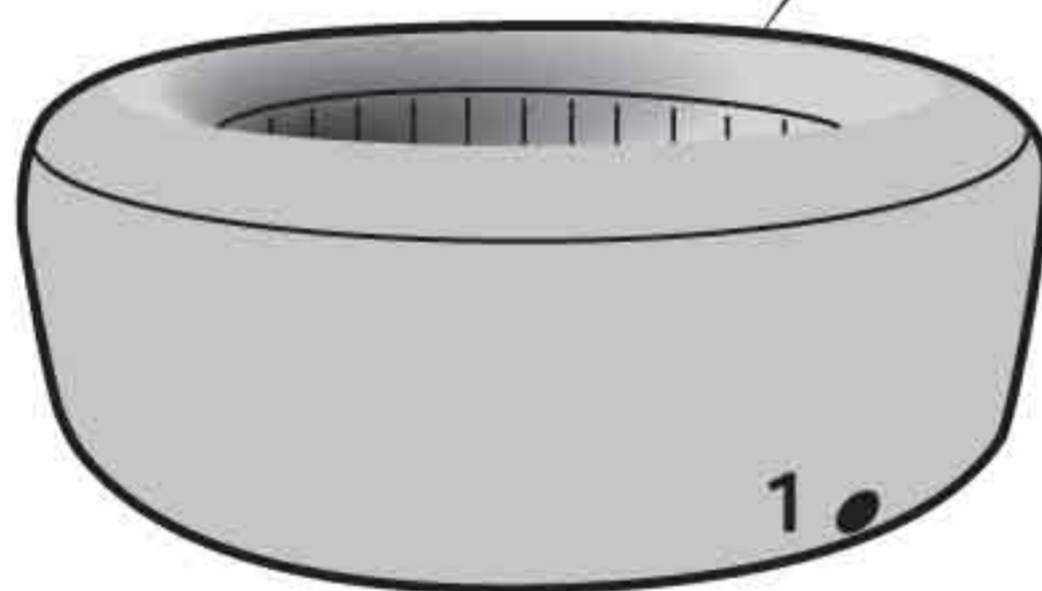
2. Connect the inflation hose to adapter A on the pump.



3. As previously outlined, test the pump and press the Lay-Z-Massage button to activate the pump.



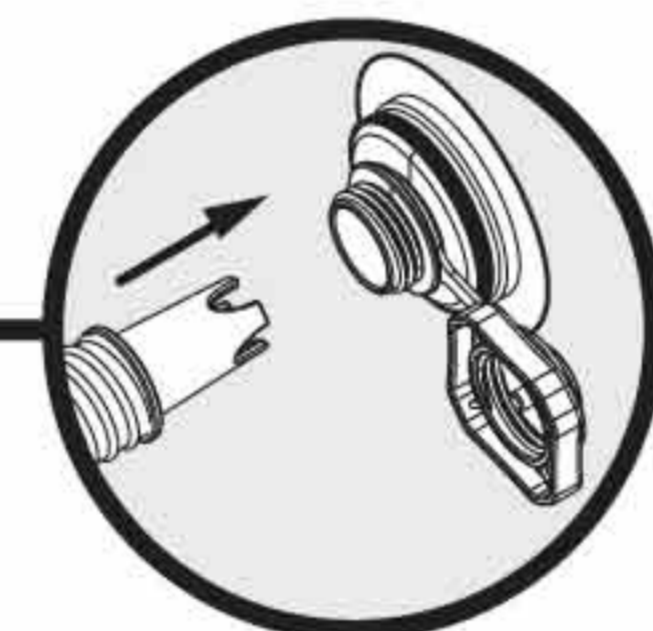
4. NOTE: Do not use an air compressor to inflate the pool. Use the inflation hose to inflate the chamber according to the printed number 1 on the spa.



Spa



Screw the screw-valve onto the air intake valve marked with No. 1 on the spa.

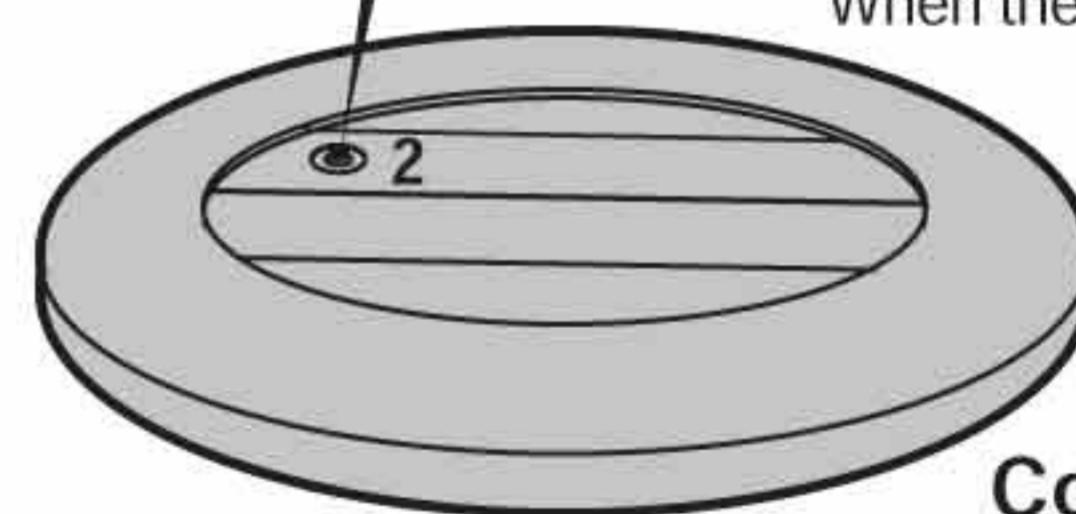


Open the top cover of the screw-valve, insert the inflation hose and inflate. Once inflation is finished, fasten the top cover of the screw-valve.



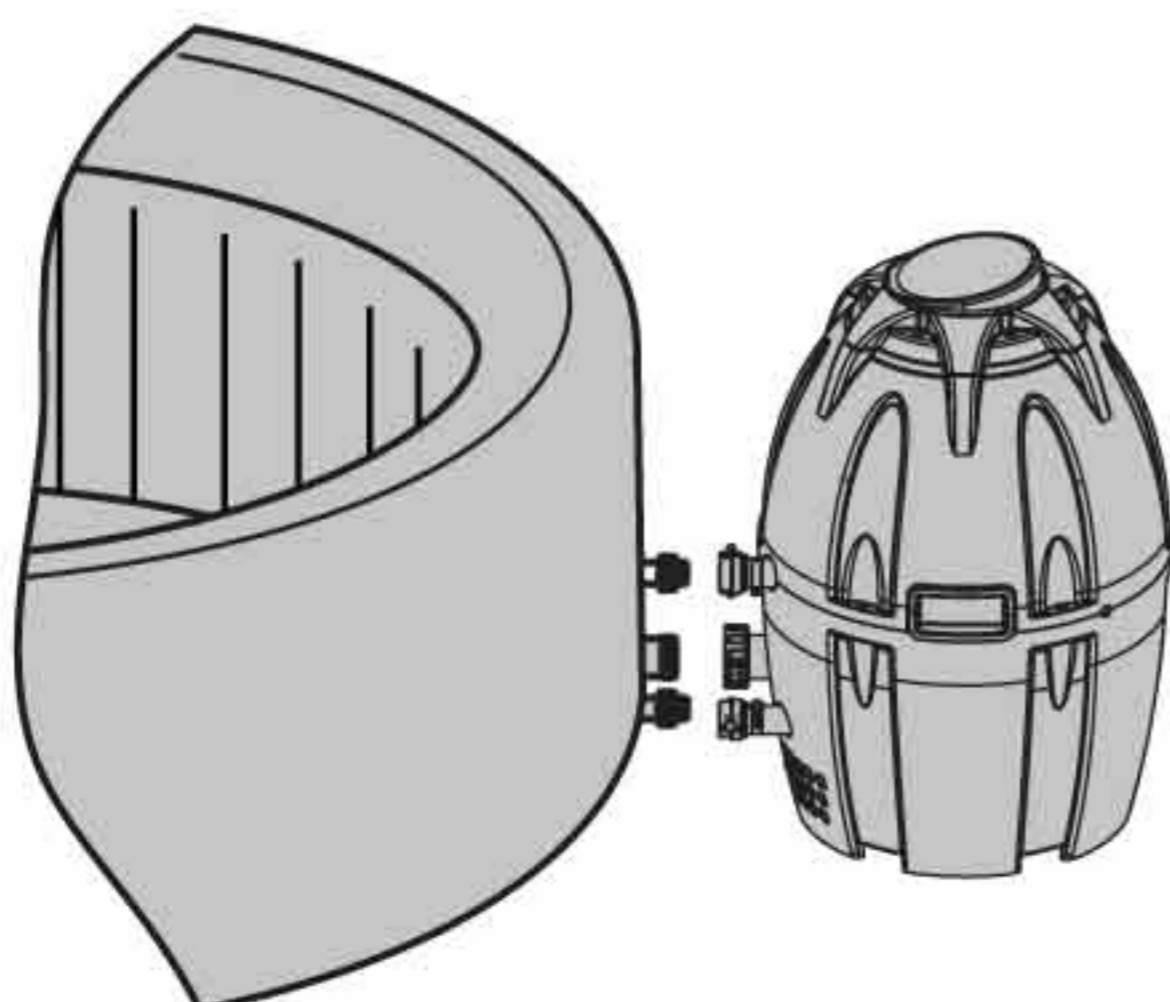
NOTE: Before use the Lay-Z-Spa Miami, always make sure that the inflatable chamber is properly inflated and that there are no folds.

Open the top fabric coated cover and reverse. Insert the inflation hose onto the valve to inflate. When the inflation is finished close the valve.

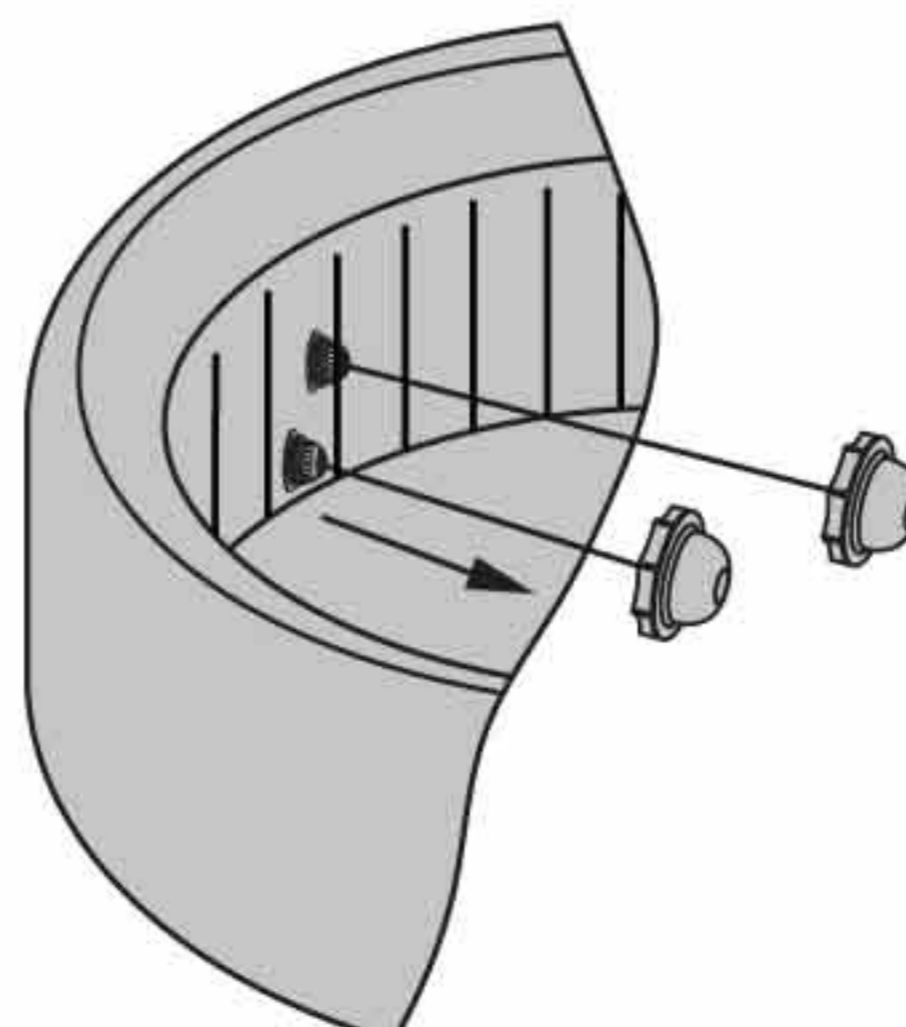


Cover

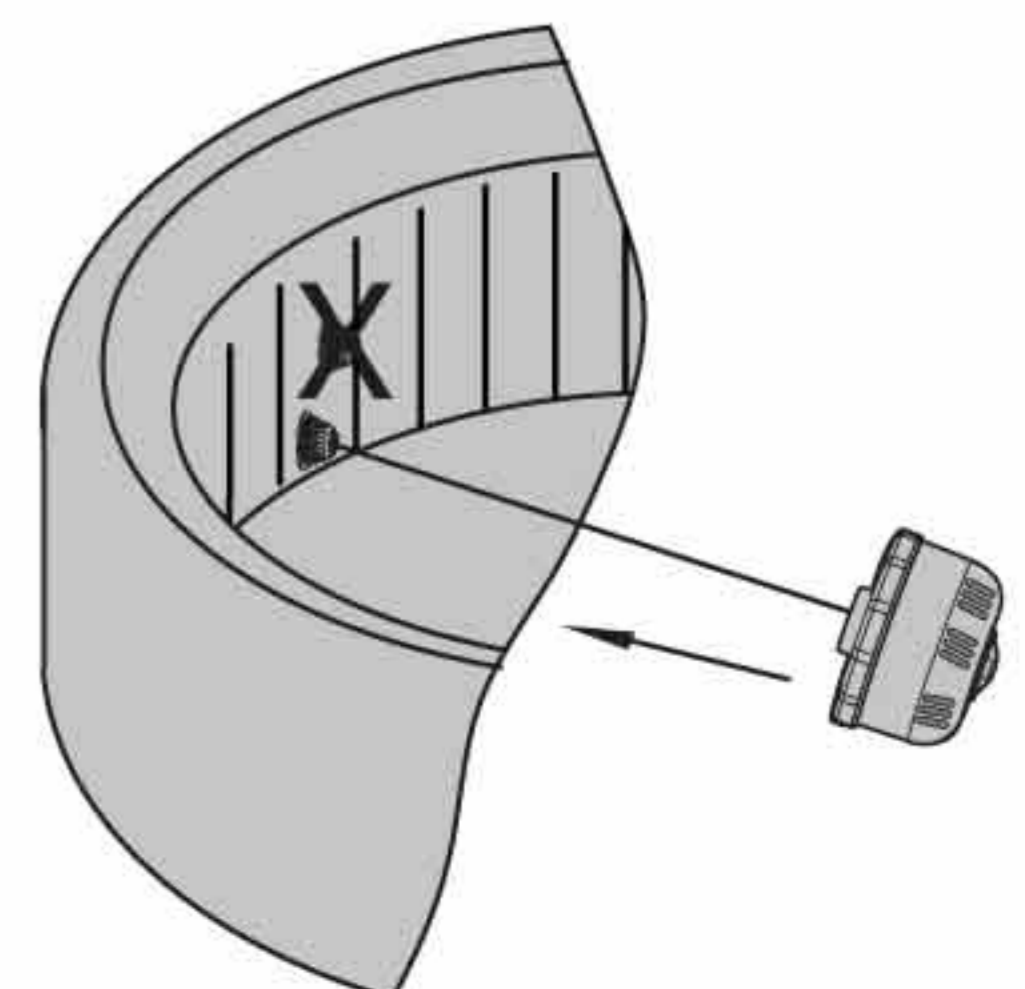
5. Connect the pump to the spa by lining up the letters (A to A, B to B and C to C). Securely hand-tighten the adapters. Check all rubber seals are in place.



6. Remove the two stopper caps from the inside of the spa's inlet and outlet pipes.

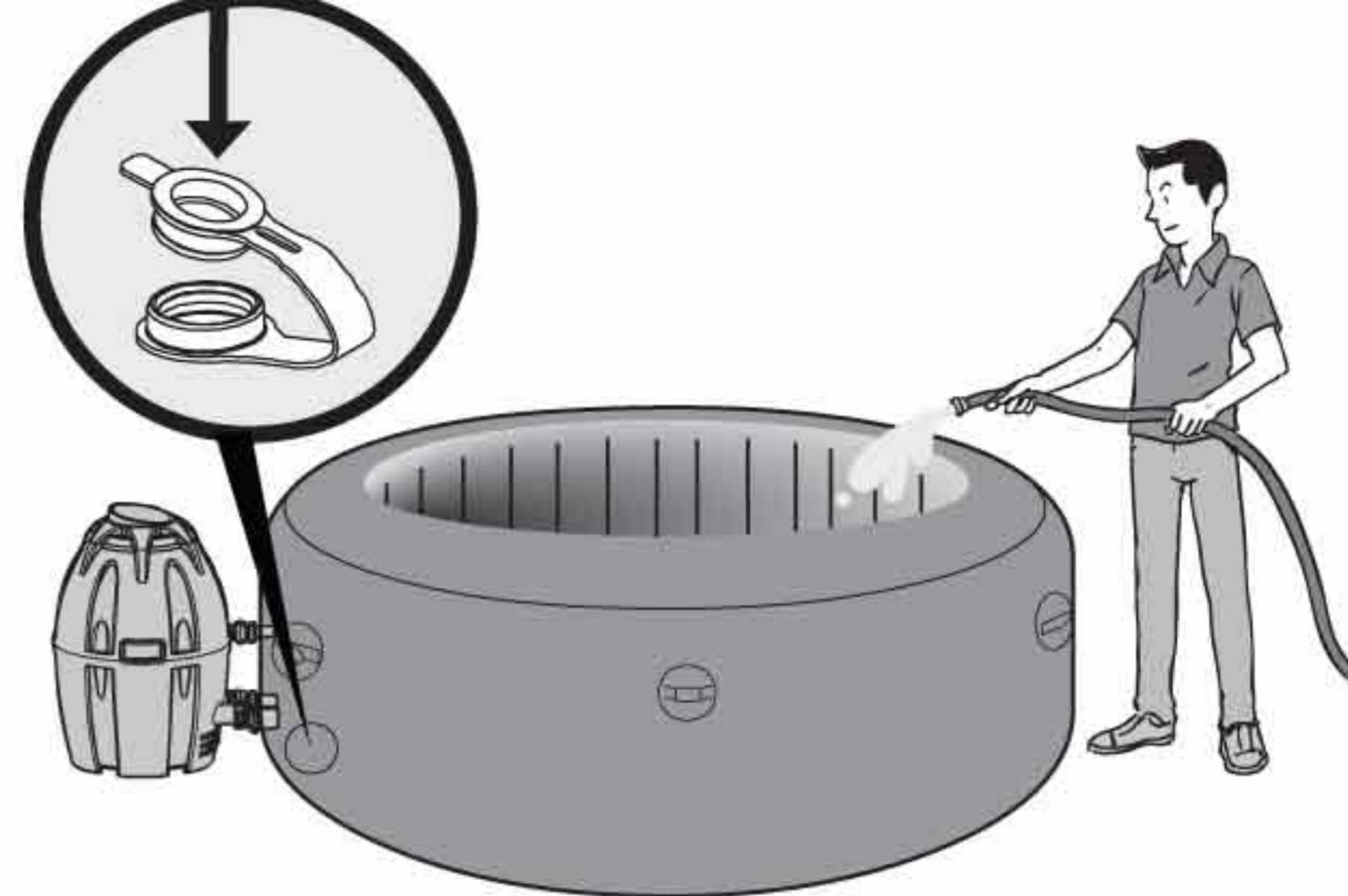


7. Screw the filter set to the inside of the spa's outlet pipe (**NOTE: Must screw in lower position.**) **NOTE: Do not sit on the filter set.**



8. Using a garden hose, fill the spa to the minimum water level printed on the spa wall.

NOTE: Before filling, ensure the bottom drain valve was secured.

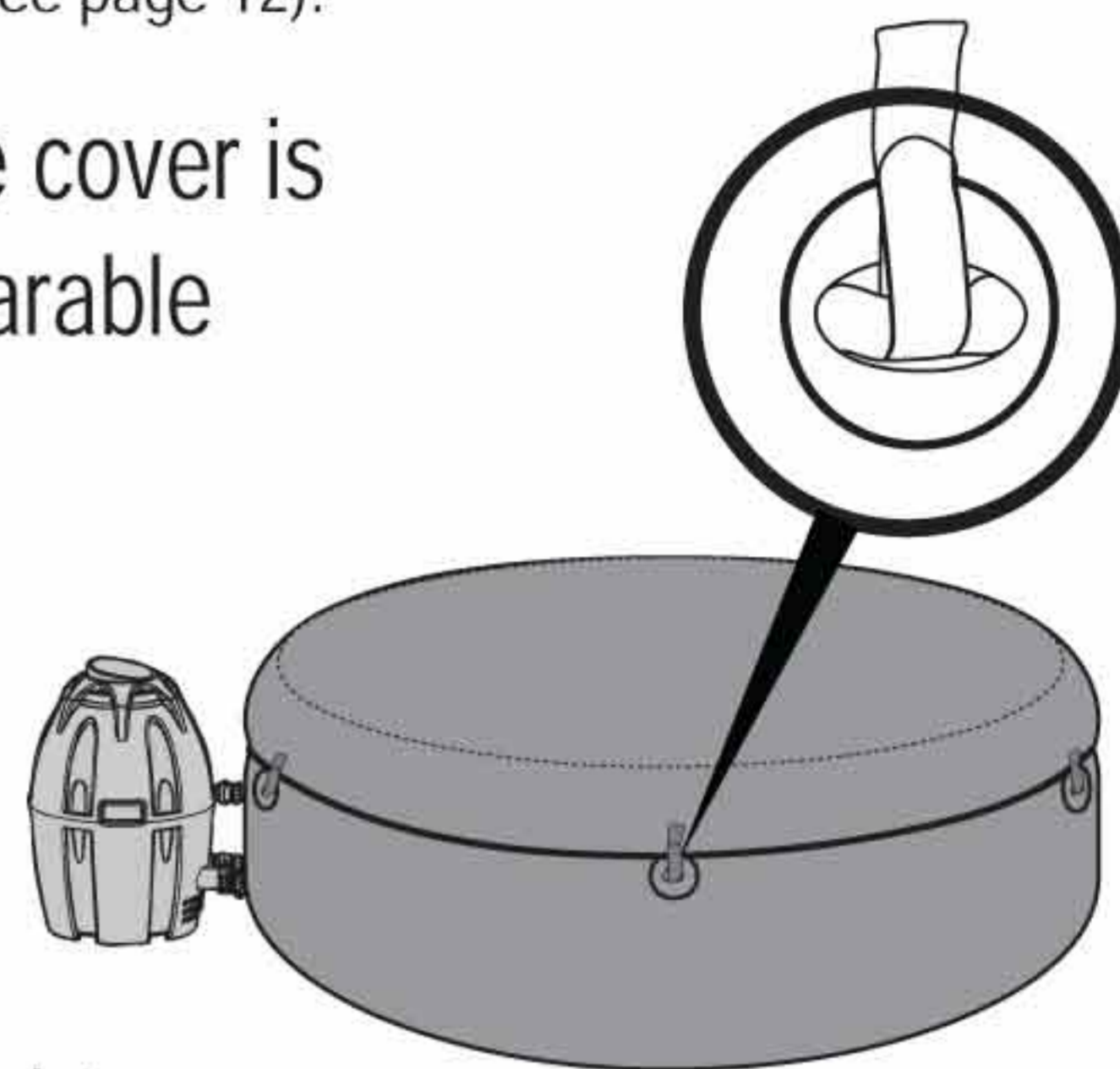


9. To heat the water, put the cover on, lock the velcros, and push the heat button (see page 12).

WARNING: Do not run the Lay-Z-Massage system when the cover is attached, air can accumulate inside the spa and cause irreparable damage and bodily harm.

WARNING: This spa cover is not a safety cover and is not a substitute for adult supervision; children must be supervised around the spa at all times.

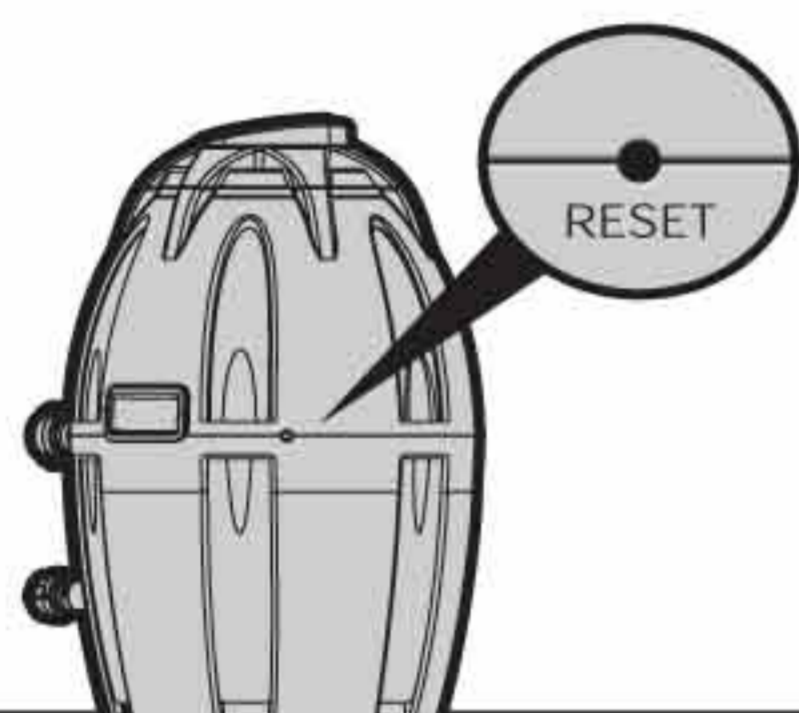
Note: We recommend you take a shower before using your Lay-Z-Spa, as cosmetic products, lotions, and other residues on the skin can quickly degrade water quality.



PUMP OPERATION

Heating Reset

When using the Lay-Z-Spa for first time, or after a long period of disuse, be sure to press the reset button on the pump using a small and thin object.



A Lock/unlock Button



The pump has a 5-minute auto-lock. To lock or unlock the pump, place a finger over the lock/unlock button for 3 seconds.

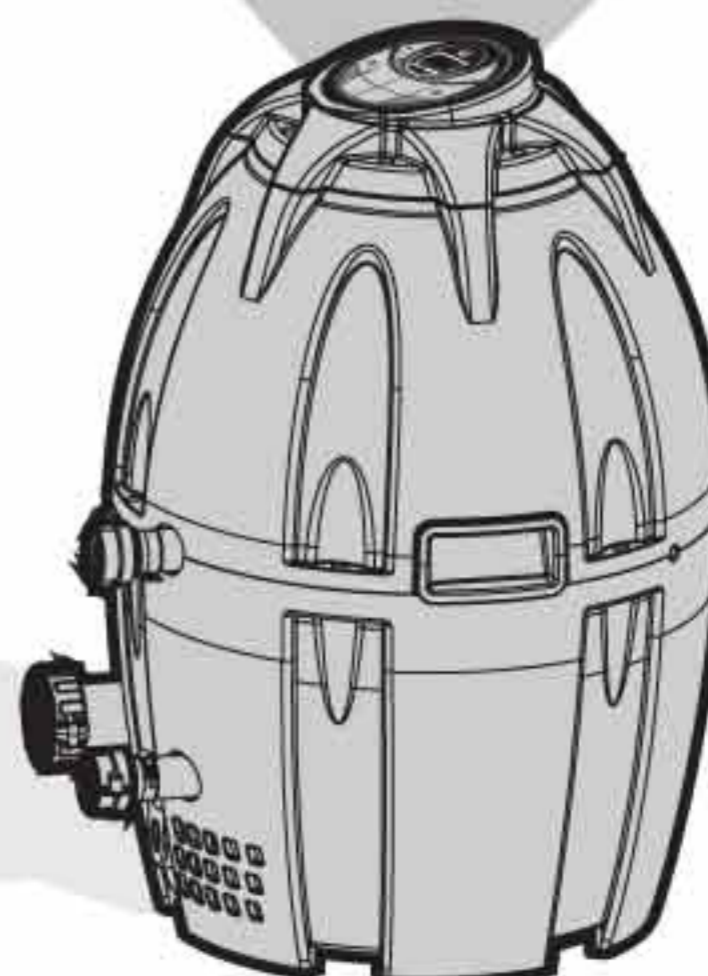
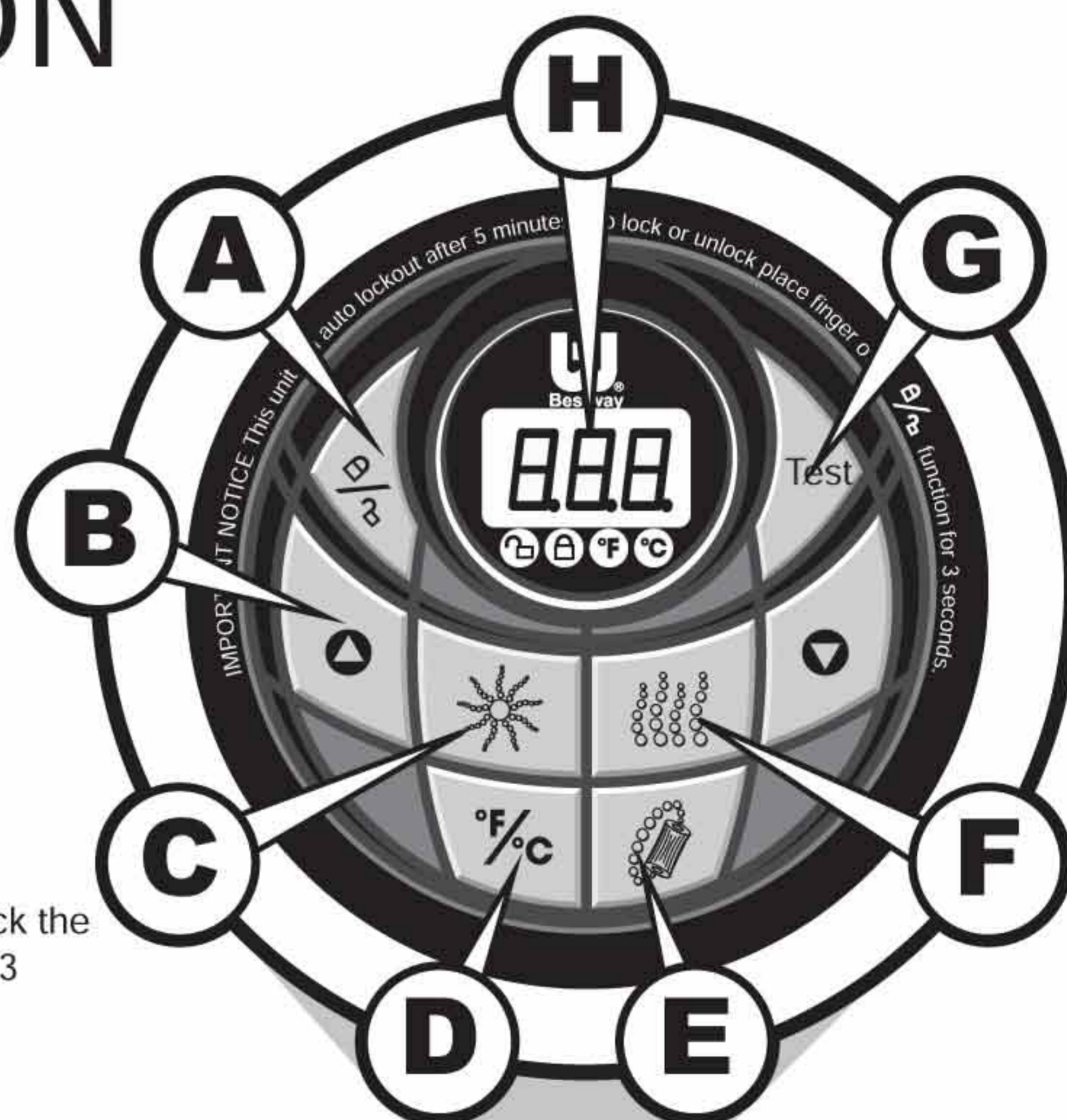
B Temperature Adjustment Buttons



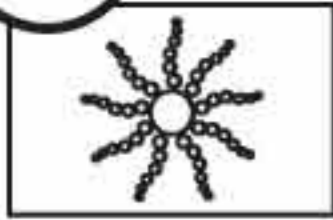
Pressing the Temperature Increase or Decrease buttons will cause the LED to flash. When flashing you can adjust to the desired temperature setting. If you hold these buttons down the values will rapidly increase or decrease. The new and desired temperature setting will remain on the LED display for 5 seconds to confirm the new value.

NOTE: The default temperature is 40°C (104°F).

NOTE: Temperature adjustment ranges from 20°C (68°F) to 40°C (104°F).



C Heat Button



Use this button to activate the heating system. The pump will heat the spa water until the water temperature reaches 1°C (1.8°F) higher than the set temperature. After the current water temperature drops 2°C (3.6°F) below the set temperature the heating system will restart. When the light above the heat button is red, the heating system is activated. When the light is green, the water is at the set temperature and the heating system is at rest.

The heating system is capable of increasing the water temperature by approximately 1.5 to 2°C (3-4°F) per hour for #54112, #54123 1-1.5°C/h (2-3°F/h) per hour for #54113.

NOTE: If the heating system is activated the filtration system will automatically start.

NOTE: After turning off the heating system the filtration system will continue to operate.

NOTE: The Lay-Z-Massage System will automatically shutoff when the heater is activated.

D Celsius/Fahrenheit Toggle



The temperature can be displayed in either Fahrenheit or Celsius.

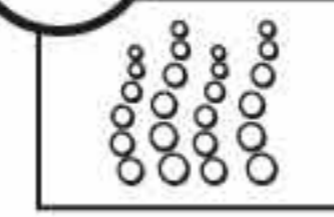
NOTE: The system's default is Celsius.

E Water Filter Button



This button turns the filter pump on and off. The light above the Water Filter Button displays red when activated.

F Lay-Z-Massage System Button



Use this button to activate the massage system, which has a 30-minute auto-shutoff feature. The light above the Lay-Z-Massage System Button displays red when activated.

WARNING: Do not run the Lay-Z-Massage system when the cover is attached, air can accumulate inside the spa and cause irreparable damage and bodily harm.

G Test Button



Use this button to test if the pump electric system is safe. See Pump Test section for details.

H LED Display



Once powered-up the LED displays the current water temperature automatically.

Alarms

	Causes	Reasons	Solutions
	The water flow sensors work without pressing the filter or heat button	<ol style="list-style-type: none"> The water flow sensors' flags didn't fall back into the correct position The water flow sensors are broken 	<ol style="list-style-type: none"> Unplug the plug, strike the side of the pump but not violently, and plug it back in Contact your local Bestway Aftersales service point to get instructions
	After starting or during the functions of filtering or/and heating, the water flow sensors do not detect water flow.	<ol style="list-style-type: none"> You forgot to remove the 2 stopper caps from inside the pool Filters cartridges are dirty Activate the filter or heat system and put your hand in front of the outlet pipe inside the pool to check if you can feel water flowing out If no water flows out the water pump is broken After changed the water pump, no water flows out, the transformer is broken Water flows out but the alarm appears The water flow sensors are broken 	<ol style="list-style-type: none"> Remove the 2 stopper caps before heating, refer to Assembly section in the User's Manual Remove the filter set from inside the pool and push the filter or heat button. If no alarm appears, clean or change the filter cartridges install the filter set inside the pool. <p>Note: The filter cartridges must be cleaned every day</p> <ol style="list-style-type: none"> Contact your local Bestway Aftersales service point to get instructions Contact your local Bestway Aftersales service point to get instructions Contact your local Bestway Aftersales service point to get instructions
	The pump's thermometer reads the water temperature below 4°C (40°F)	<ol style="list-style-type: none"> The water temperature is lower than 4°C (40°F) The pump's thermometer is broken 	<ol style="list-style-type: none"> The spa is not designed to operate with water temperatures lower than 4°C (40°F). Unplug the pump and only re-start the pump when the water temperature reaches 6°C (43°F) Contact your local Bestway Aftersales service point to get instructions
	The pump's thermometer reads the water temperature over 50°C (122°F)	<ol style="list-style-type: none"> The water temperature is over 50°C (122°F) The pump's thermometer is broken 	<ol style="list-style-type: none"> The spa is not designed to operate with water temperatures greater than 40°C (104°F). Unplug the pump and only re-start the pump when the water temperature reaches 38°C (100°F) or lower. <p>IMPORTANT: Before you re-start the pump, push the pump's reset button</p> <ol style="list-style-type: none"> Contact your local Bestway Aftersales service point to get instructions
	The pump's thermometer connections have issues	<ol style="list-style-type: none"> The pump's thermometer connectors don't work properly The pump's thermometer broken 	<ol style="list-style-type: none"> Contact your local Bestway Aftersales service point to get instructions Contact your local Bestway Aftersales service point to get instructions
	This alarm appears after pressing the pump's test button or during the automatic operations of the pump	<ol style="list-style-type: none"> The power port experienced some temperately current variation Safety components broken 	<ol style="list-style-type: none"> Unplug and plug the pump back in Contact your local Bestway Aftersales service point to get instructions
All light on the control panel flash on and off and the pump beeps	Safety circuits operation	<ol style="list-style-type: none"> The test button was pushed 	<ol style="list-style-type: none"> Unplug and plug the pump back in

MAINTENANCE

CAUTION: YOU MUST ENSURE THE PUMP IS UNPLUGGED BEFORE BEGINNING SPA MAINTENANCE TO AVOID RISK OF INJURY OR DEATH.

Maintaining Spa Water

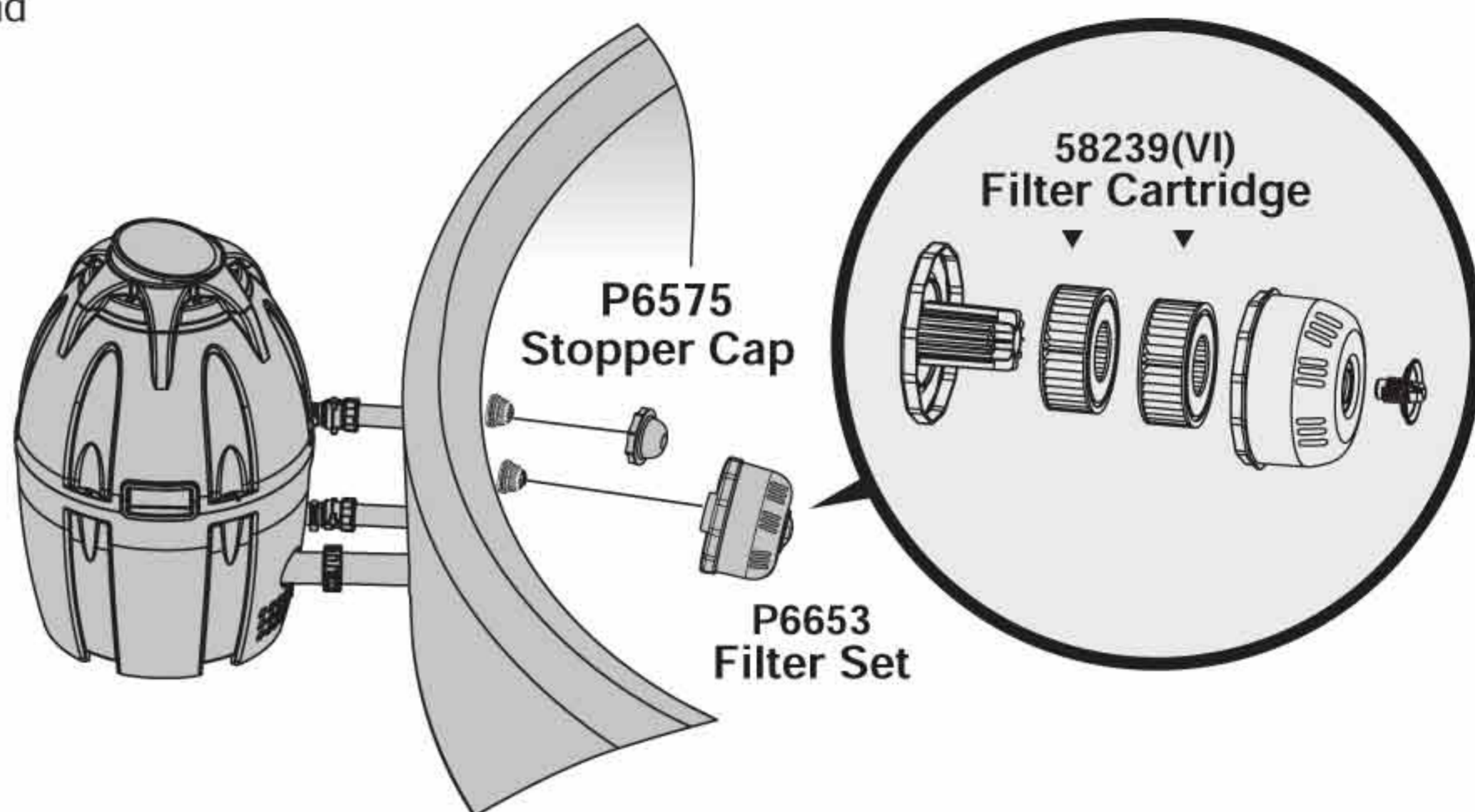
The spa owner must regularly maintain pool water, daily if necessary. Proper water maintenance disinfects spa water killing harmful microorganisms, removes oils, make-up and lotion ensuring the water is clean and safe.

Spa water quality can be extremely hazardous to your health. We recommend the following:

For Filter Cartridge Cleaning / Replacement

NOTE: To ensure you help your spa water stay clean, please check and clean your filter cartridge every day if required and we recommend you change your filter cartridge every three days depending on use.

1. Unplug the pump.
2. Remove the filter set from the spa.
3. The filter cartridge can be rinsed-off with a garden hose and reused. However, if the filter cartridge remains soiled and discolored the filter cartridge should be replaced. It is recommended to replace filter cartridge every three days depending on use.
4. Replace the filter set in the spa.



For Water Balance

1. As a guide, the water should be changed about every 3 days. This is only a guide; water quality is influenced by frequency of use, persons using the spa and general maintenance.
2. Chemical maintenance: use pool chemicals to maintain water chemistry
Use pool chemicals to maintain water chemistry and chlorine or bromine tablets (do not use granules) with the chemical floater.
Be sure to consult your local pool chemical supplier for information on treating the water in your spa and information on using the chemical tablets.

NOTE: When performing chemical maintenance, activate the Lay-Z-Massage function to quickly dissolve chemicals into the water. Do not use spa during chemical maintenance.

NOTE: Remove the chemical floater from spa when the spa is in use.

After performing chemical maintenance and before using the spa, use a test kit (not included) to test the water chemistry. pH lower 7.4 and over 7.6 will damage to the spa and pump. We recommend maintaining your water pH between 7.4 and 7.6, total alkalinity between 80 and 120ppm and free chlorine between 2-4ppm. Damage resulting from chemical imbalance is not covered by the warranty.

Fasten the Air-Valve (For #54113 Only)

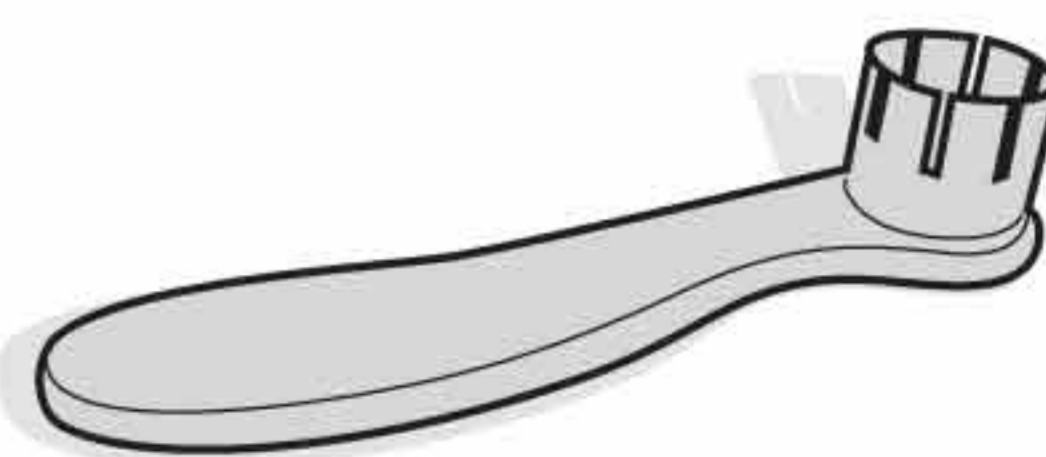
When the spa is in use it is normal for internal air pressure to expand and/or contract. When this occurs, air may leak from the air-valve on the spa wall. Always check the air-valve carefully before use. If air is leaking, use the provided wrench to fasten the air-valve following these steps:

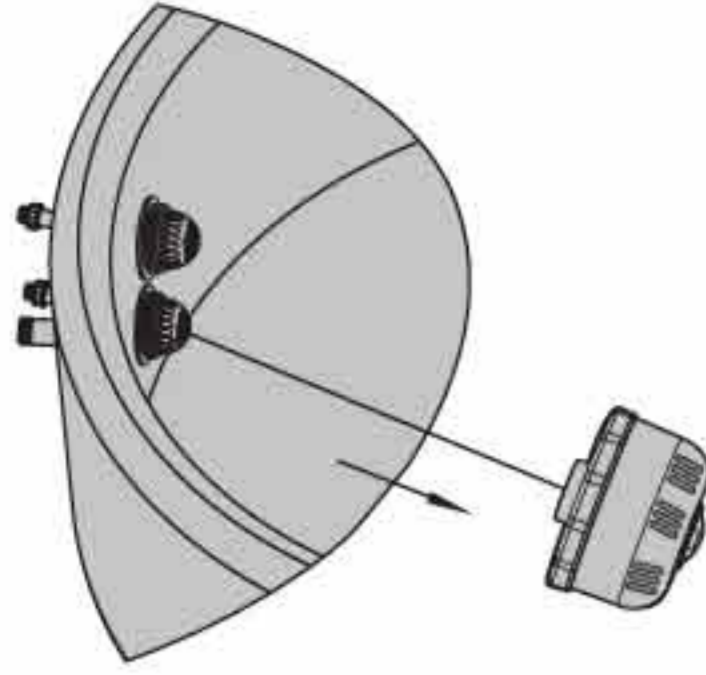
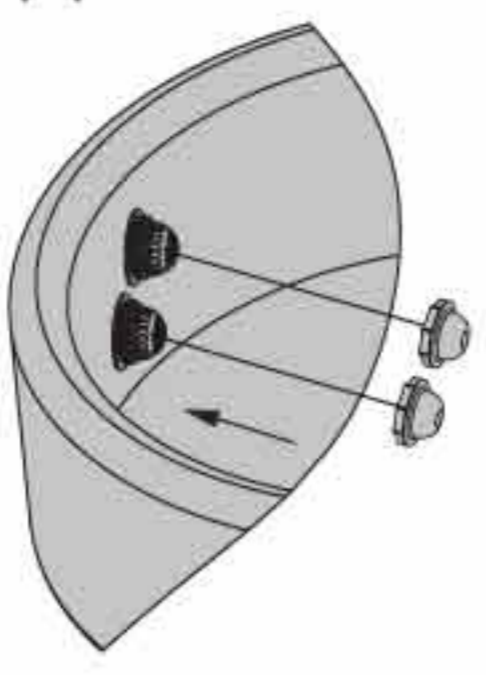
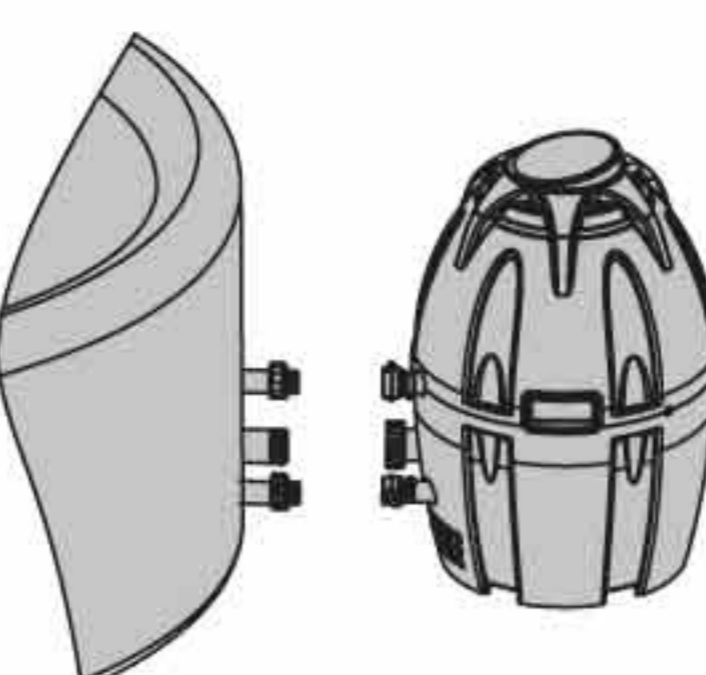
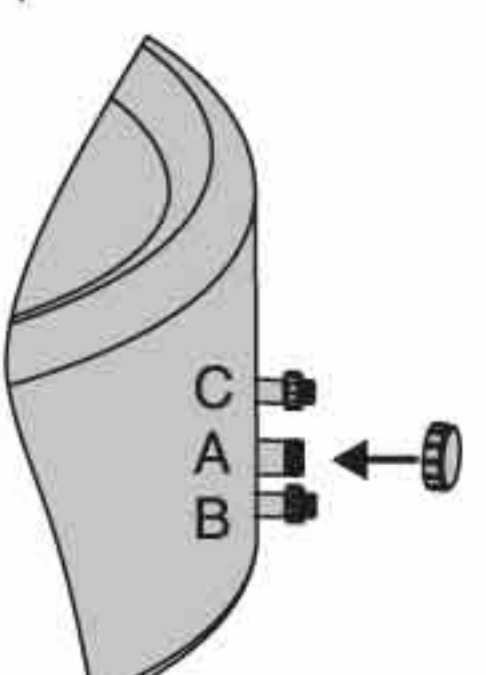
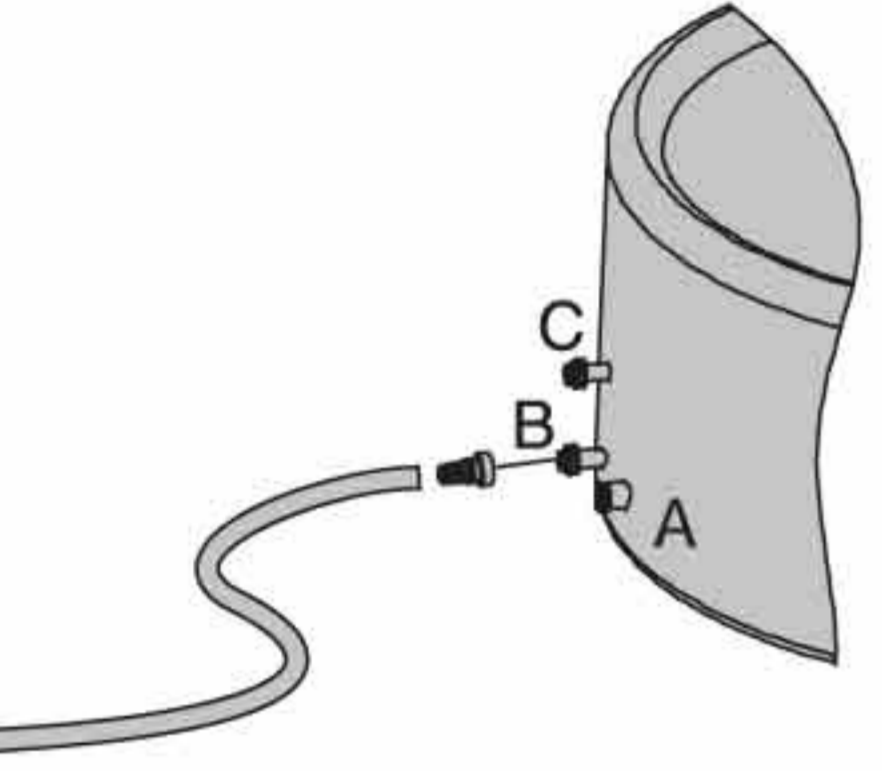
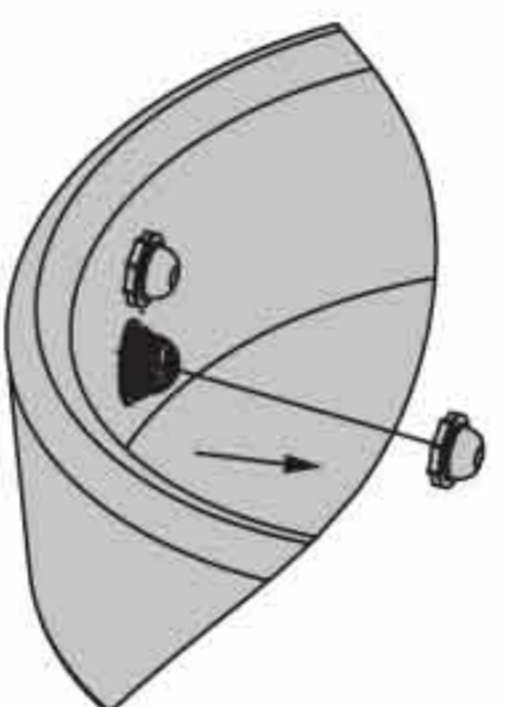
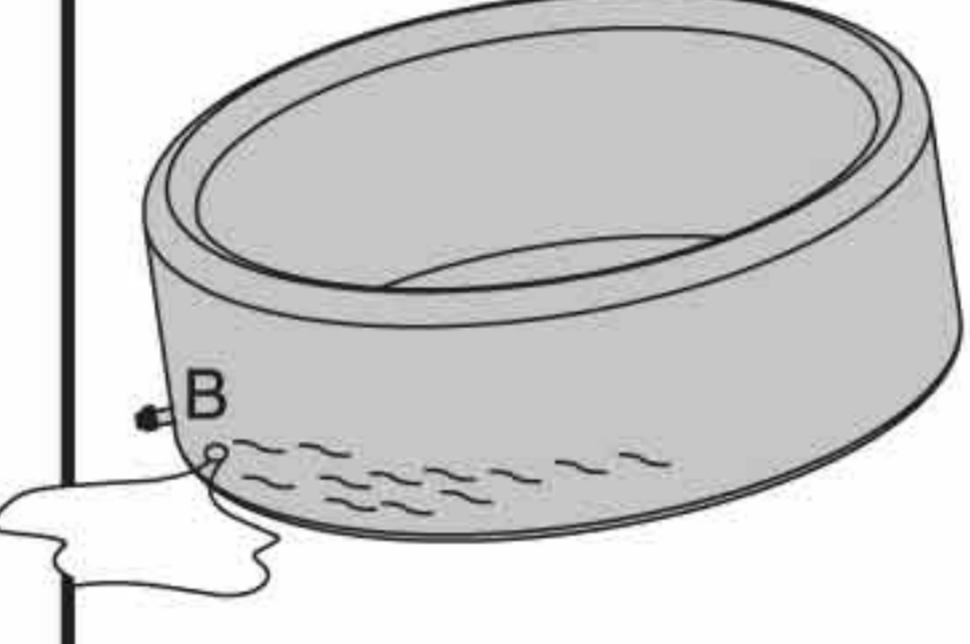
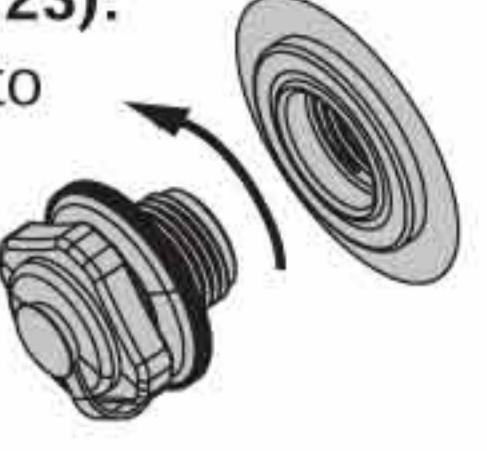
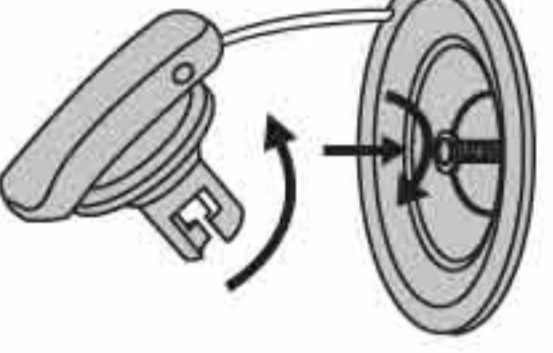
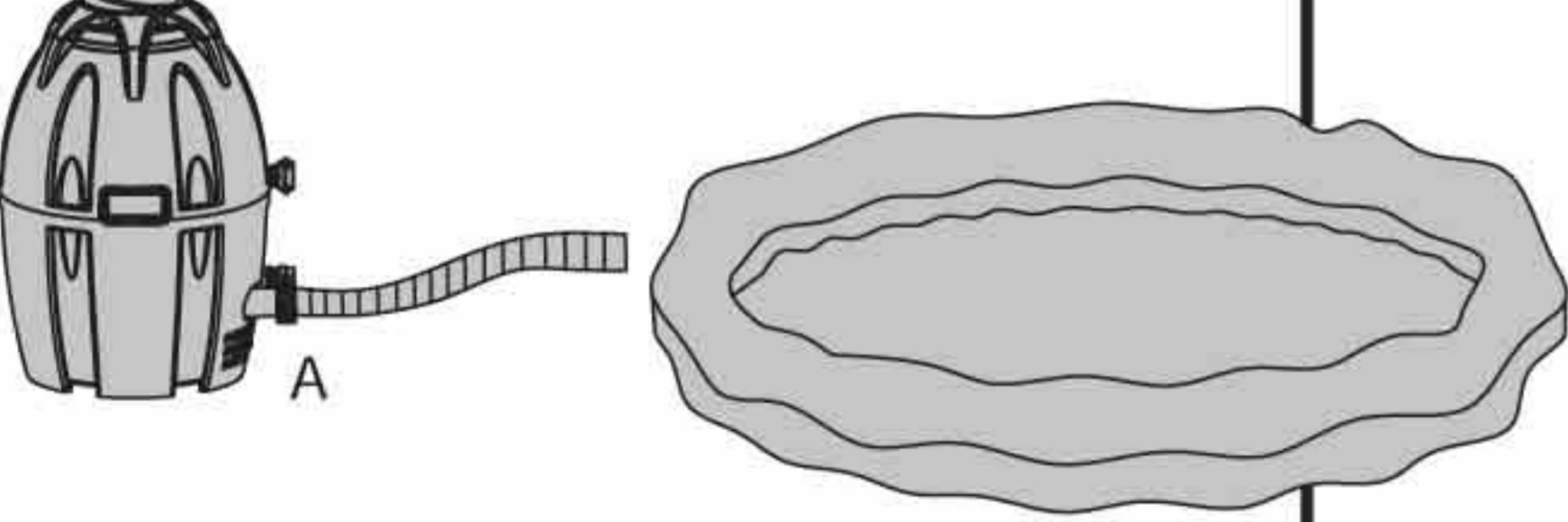
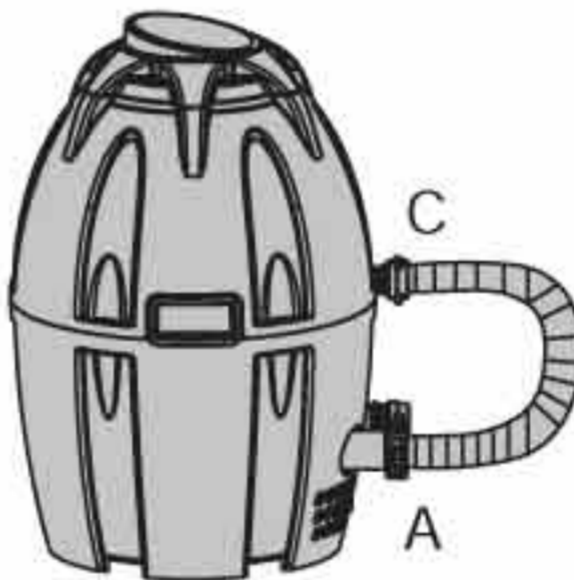
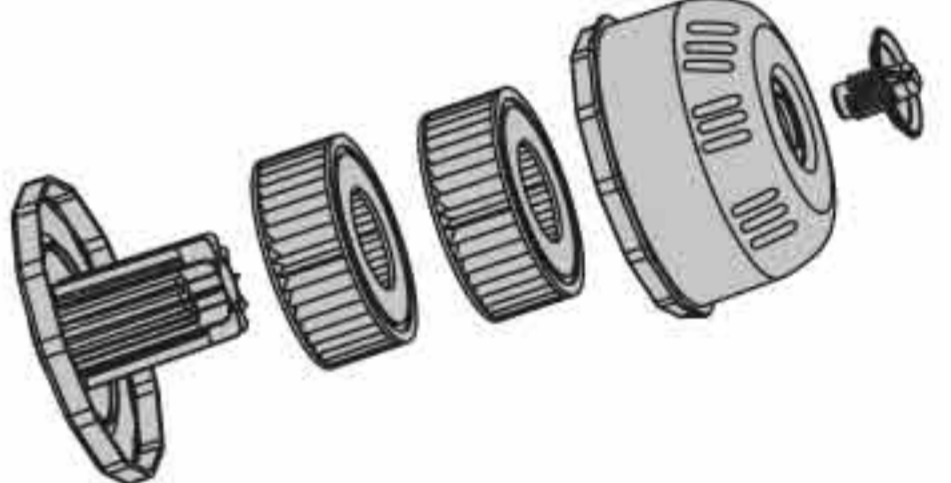
- Open the cap of the air-valve and put the wrench into the valve body.
- With one hand, hold the backside of the air-valve from the inner side of the spa wall and turn the wrench clockwise.

All spas require the use of pool chemicals. Pool chemicals are potentially toxic and should be handled with care. There are serious health risks from chemical vapors and the incorrect labeling and storage of chemical containers. Please consult your local pool supply retailer for more information about chemical maintenance. Pay close attention to the chemical manufacturer's instructions. Spa damage resulting from misuse of chemicals and mismanagement of spa water is not covered by the warranty.

NOTE:

1. Do not over tighten.
2. Always check the air-valve carefully before use.
3. Do not adjust the air-valve connector when the spa is in use.



<p>1. Remove the filter set from the spa.</p> 	<p>2. Insert the 2 stopper caps onto the spa's inlet and outlet pipes.</p> 	<p>3. Disconnect the pump from the spa.</p> 	<p>4. Screw the adapter cover onto adapter A of the spa.</p> 
<p>5. Connect the hose adapter to your garden hose and attach the hose adapter to the spa's B adapter.</p> 	<p>6. With your hose positioned in a selected drain area, remove the lower stopper cap from inside the spa to release the water.</p> 	<p>7. Once most of the spa water is drained, open the bottom drain valve on the pool floor to remove any remaining water.</p> 	<p>8. Vegas, Miami (#54112, #54123): Unscrew the valves to deflate the spa.</p>  <p>8. Monaco (#54113): To deflate, unscrew the air-valve counter clockwise from the air intake valve, press the spring valve and turn clockwise.</p> 
<p>9 Use the inflation hose to blow dry the pump and the spa pool. Connect the inflation hose to adapter A on the pump and press the Lay-Z-Massage button to activate the blower.</p> 		<p>10. Make sure the pump is dried thoroughly. Clean the pump's inner housing using a towel. Tilt the pump to drain the residual water in the hose. It is recommended to use the inflation hose to aim to dry the Pump's adapter B.</p> 	<p>11. Use a new filter cartridge when resuming spa use. Please refer to page 14 for Filter Cartridge Replacement.</p> 

Cleaning the spa

Detergent residues and dissolved solids from bathing suits and chemicals may build up on the spa walls. Use soap and water to clean the walls and rinse thoroughly.

NOTE: DO NOT use hard brushes or abrasive cleaners.

Spa Repair

For Spa #54112, #54123 and inflatable cover #54113

If the spa is torn or punctured, use the provided heavy-duty repair patch.

1. Clean area to be repaired.
2. Carefully peel patch.
3. Press patch over area to be repaired.
4. Wait 30 minutes before inflation.

For Spa #54113 (Not including inflatable cover)

If the spa is torn or punctured, use the provided PVC repair patch or Polyester 3-ply patch and glue following these steps:

1. Clean and dry area to be repaired.
2. Cut the provided PVC or Polyester 3-ply patch to appropriate size.
3. Use the provided glue to coat the one side of the newly cut patch. Make sure the glue is evenly distributed.
4. Wait for 30 seconds and then place the cut patch with glue over the damaged area.
5. Smooth out any bubble of air that may be trapped underneath, and press firmly for two minutes
6. The product is once again ready for use. Repeat this process should further leaks occur.

Lay- Z- Spa Storage

Make sure the spa and pump are completely dry. This is essential to extend the life of the spa. We recommend using the pump to blow dry the spa, pump and pipes. Remove the filter sets and discard the used filter cartridges. Re- attach the two stopper caps onto the spa's inlet and outlet valves. It is recommended you store the spa in its original package in a warm dry place.

NOTE: Plastic becomes brittle and susceptible to breaking when exposed to subzero temperatures. Freezing can severely damage the spa. Improper winterization of your spa can void your warranty.

Disposal



Meaning of crossed –out wheeled dustbin: Do not dispose of electrical appliances as unsorted municipal waste, use separate collection facilities. Contact your local government for information regarding the collection systems available. If electrical appliances are disposed of in landfills or dumps, hazardous substances can leak into the groundwater and get into the food chain, damaging your health and well-being. When replacing old appliances with new ones, the retailer is legally obligated to take back your old appliance for disposals at least free of charge.

TROUBLESHOOTING

Bestway strives to provide the most trouble- free Spas on the market. If you experience any problems whatsoever, do not hesitate to contact Bestway or your authorized dealer. Here are some helpful tips to help you to diagnose and rectify some common sources of trouble.

Problems	Probable Causes	Solutions
Pump does not operate	<ul style="list-style-type: none"> - Power failure - Test Button was pushed - Power circuits broken 	<ul style="list-style-type: none"> - Check power source - Unplug and plug the pump back in - Contact your local Bestway Aftersales service point to get instructions
Pump not heating properly	<ul style="list-style-type: none"> - Temperature set too low - Dirty Filter Cartridge - Improper water levels - The thermal cut-out cut off - Heating element failed 	<ul style="list-style-type: none"> - Set to a higher temperature refer to section pump operation - Clean/replace the Filter Cartridge refer to section filter cartridge cleaning and replacement - Add water to specified levels - Press the Reset button on the pump refer to section pump operation - Contact your local Bestway Aftersales service point to get instructions
Lay-Z-Massage System does not work	<ul style="list-style-type: none"> - Air Pump is too hot - The Lay-Z- Spa Massage stops automatically - Air pump is broken 	<ul style="list-style-type: none"> - Unplug the pump and wait two hours so the pump has cooled. Insert the plug and press the Lay-Z-Massage System Button - Press the Lay-Z-Massage System Button to reactivate - Contact your local Bestway Aftersales service point to get instructions
Pump adapters are not level with the spa adapters	<ul style="list-style-type: none"> - One characteristic of PVC is that it changes shape, which is normal 	<ul style="list-style-type: none"> - Elevate the pump with wood or another type of insulated material to bring the pump's adapters level with the spa's adapters
Spa leakage	<ul style="list-style-type: none"> - Spa is torn or punctured 	<ul style="list-style-type: none"> - Use provided repair patch
Water not clean	<ul style="list-style-type: none"> - Insufficient filtering time - Dirty Filter Cartridge - Improper water maintenance 	<ul style="list-style-type: none"> - Increase filtration time - Clean/replace the Filter Cartridge refer to section filter cartridge cleaning and replacement - Refer to the chemical manufacturer's instructions

Limited BESTWAY® Manufacturer's Warranty 2014

The product you have purchased comes accompanied with a limited warranty. At Bestway® we stand behind our quality guarantee and assure, through a replacement warranty, your product will be free from manufacturer's defects resulting in leaks.

To enact a claim simply filled out this warranty card and returned it to us with:

For Inflatable Spa:

- 1) Your purchase receipt
- 2) Cut and copy the batch number located near the drain valve on the inflatable liner and air valve on the cover to your purchase receipt.

Before cutting the product, please contact your after sales center for instructions.

Spa	Spa Floor	Cover
Lay-Z-Spa™ Vegas	2112-XXXXXX	1112-XXXXXX
Lay-Z-Spa™ Monaco	2113-XXXXXX	1113-XXXXXX
Lay-Z-Spa™ Miami	2123-XXXXXX	N/A

For digitally controlled pump:

- 1) Your purchase receipt
- 2) Pump to be sent by post to the address of the after-sales center contacted, for details please refer to your country according to the information you find on the back cover. Before sending the pump, please contact your after sales center for instructions.

Bestway is not responsible for economic loss due to water or chemical costs. Bestway will not replace any products deemed to have been neglected or having been used outside of the owner manual guidelines.

TO: Bestway Service Department DATE _____ Customer Code Number _____

FAX/E-MAIL/TEL: Please refer to your country according to the information you find on the back cover

Please provide your address details in full. Note: Incomplete address details will result in delayed shipments.

REQUIRED INFORMATION--- PLEASE WRITE THE DELIVERY ADDRESS

Name: _____ Address: _____

Zip code: _____

Country: _____ City: _____

Mobile: _____ Telephone: _____

Fax: _____ E-mail: _____

Please Clearly Write Your Item Code: _____

Description of Problem

- Spa leaking
 Water Filtration System not working
 Heating System not working
 Control panel shows a failure which cannot be solved
 Lay-Z-Massage System not working
 Pump leaking
 Adapter leaking
 Missing Parts - Please use the code for the missing part, this can be found in the owner's manual.
 Other (please describe)

For request of spare parts consumer has to send us also the page of the manual with a cross near the missing or faulty part.

You also have to send a copy of your purchase receipt together with this fax.

In order to best assist you, we request all information you provide is complete.

YOU CAN ALSO VISIT OUR WEB SITE: www.bestway-service.com

