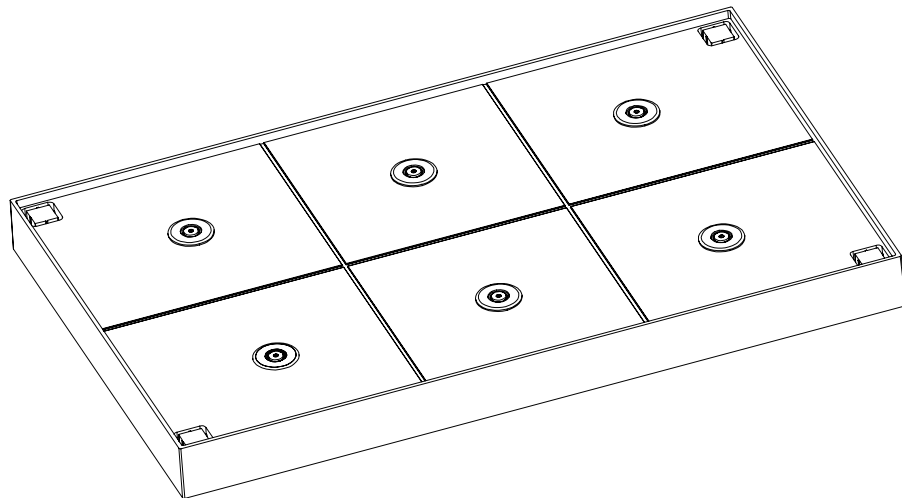


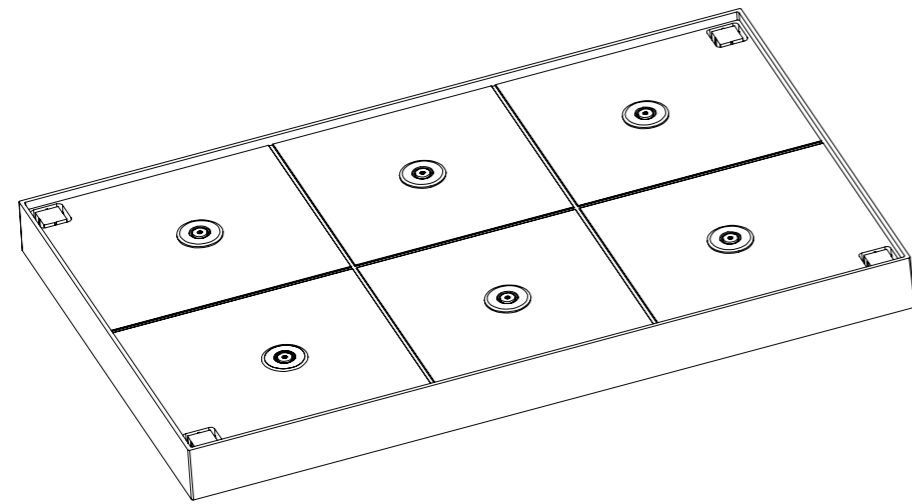


# Multi-Magnetic Charging Shelf



Product Information

# Multi-Magnetic Charging Shelf



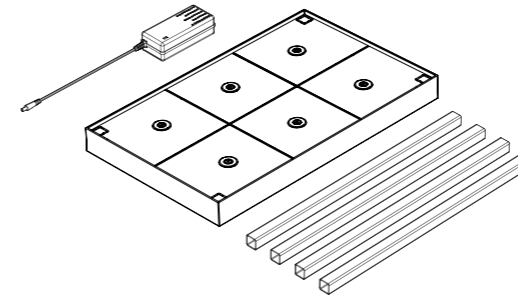
## Product Description

<b>Model</b> H1300M	<b>Application</b> Multi-Magnetic Charging Shelf	<b>Net Weight</b> 2Kg	<b>Inner Box</b> 340 x 50 x 340mm	<b>Outer Carton</b> 360 x 320 x 550mm	<b>Pcs/Ctn</b> 6
<b>Input Voltage</b> AC100-240V	<b>Power</b> 45W	<b>Safety Class</b> CLASS II	<b>Ingress Protection</b> IP20		
<b>Materials</b> Reinforced plastic shelf with 6 electrical docks, extruded reinforced plastic profiles.					
Multi-Magnetic charging station (max. 6 lamps). Possible to use multiple sockets (max. 3 levels) for simultaneous multiple charging (up to 18 lamps). Suitable for professional use.					

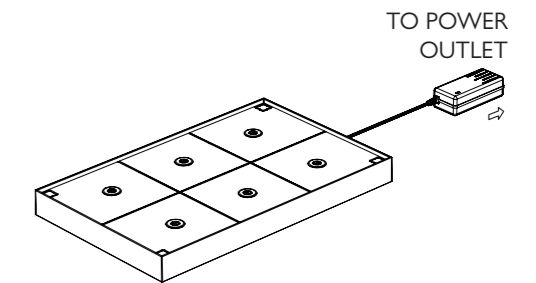
AC-DC Adapter

Multi-Magnetic Charging Shelf (6)

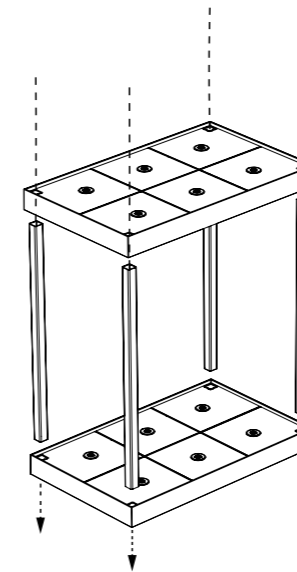
Stacking Posts



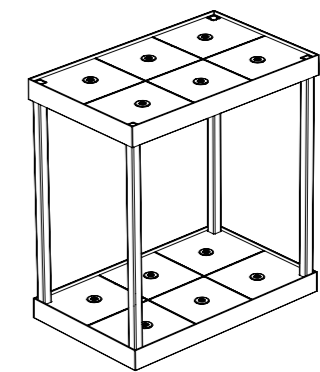
Use Power Adapter Cable Supplied



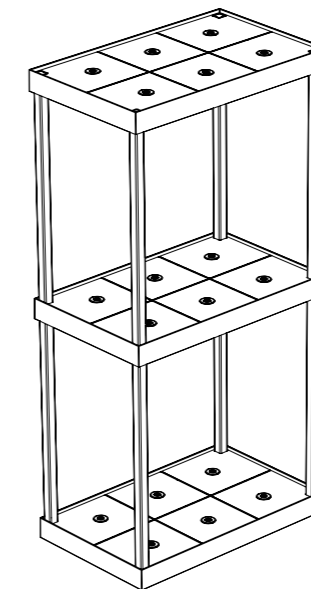
1



2



3



STACKABLE UP TO MAX 3 LEVELS

WHENEVER INSTALLING OR REARRANGING SHELVING, NEVER LIFT ASSEMBLED SHELVING.





utopia

Head Office & Showroom  
Utopia Tableware  
One Langham Park,  
Mansfield Road,  
Chesterfield, S41 0GG

T. 01246 858800  
E. [info@utopia-tableware.com](mailto:info@utopia-tableware.com)

[www.utopia-tableware.com](http://www.utopia-tableware.com)  
[/utopiatableware](#)  
[@utopiatableware](#)

